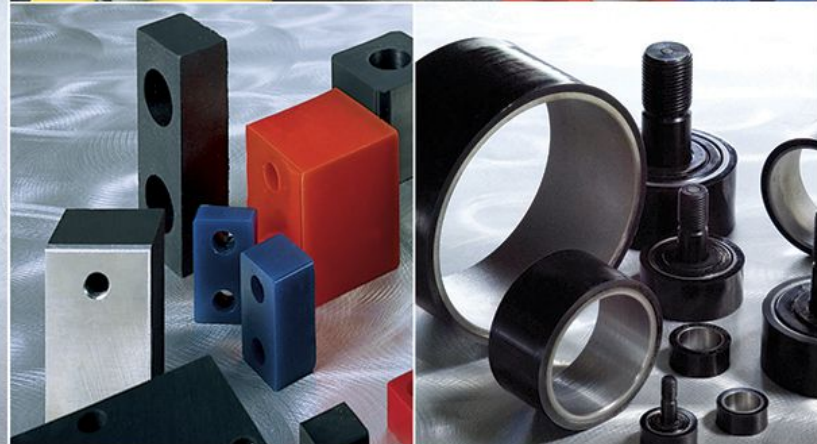




Rollers and Bumpers.



800-548-2935 www.fairlaneproducts.com

INDEX



Urethane Covered Bearings..... 6-7



Shaft Drive Mount 27-31



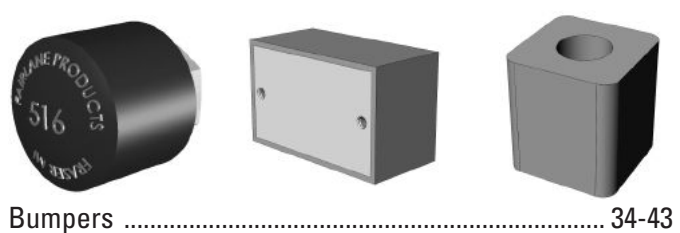
Roller Only 8-10



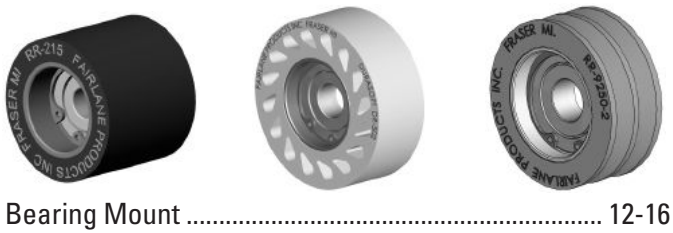
Cam Follower Covers 32



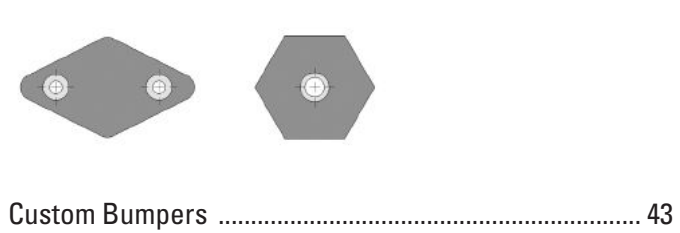
Bronze Bushing 11



Bumpers 34-43



Bearing Mount 12-16



Custom Bumpers 43

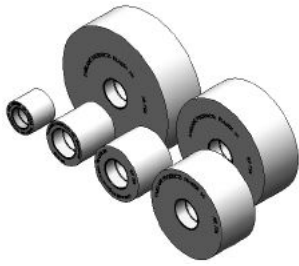


Stud Mount with Bearing 17-21



Stud Mount with One Directional Clutch Bearing22-26

Solid:



Wide

DIA	Material		
1-1/2"	Ne	Ni	Ur
2"	Ne	Ni	Ur
2-1/2"	Ne	Ni	Ur
4"	Ne	Ni	Ur
5"			Ur
6"			Ur

Narrow



DIA	Material		
2"	Ne	Ni	Ur
2-1/2"	Ne	Ni	Ur
4"	Ne	Ni	Ur

Finned:



Wide

DIA	Material		
2"	Ne	Ni	Ur
2-1/2"	Ne	Ni	Ur
4"	Ne	Ni	Ur

Narrow



DIA	Material		
2"	Ne	Ni	Ur
2-1/2"	Ne	Ni	Ur

Durasoft:



Wide

DIA	Material		
2-1/2"			Ur
4"	Ne	Ni	Ur

Narrow



DIA	Material		
2-1/2"			Ur
4"	Ne	Ni	Ur

Covered Bearings: Wide



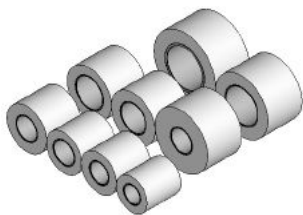
DIA	Material		
3/4" to 3"			Ur
20mm to 70mm			Ur

Narrow



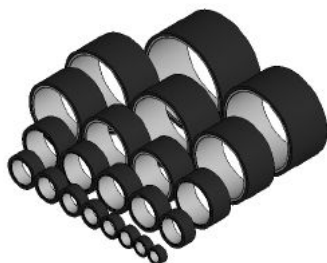
DIA	Material		
3/4" to 3"			Ur
20mm to 70mm			Ur

Press-Fit Rollers



DIA	Material		
1-3/4" to 3-1/2"			Ur

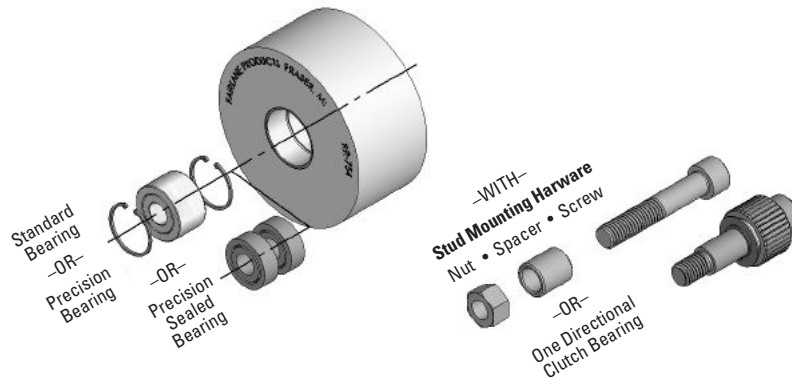
Cam Follower Covers



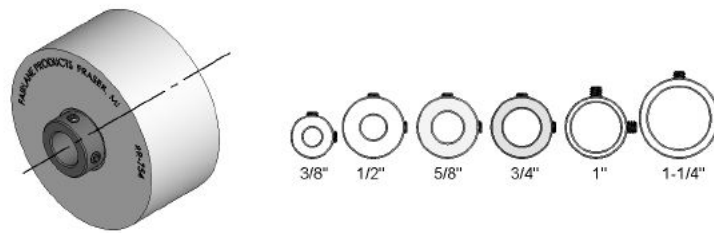
DIA	Material		
3/4" to 4-1/2"			Ur

ROLLER ASSEMBLIES

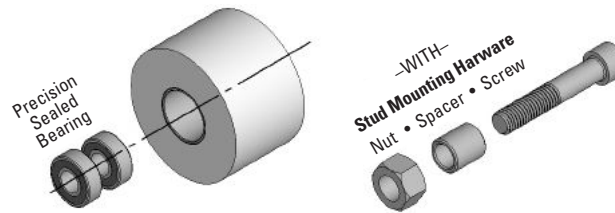
Bearing Mount - Solid - Finned - Durasoft



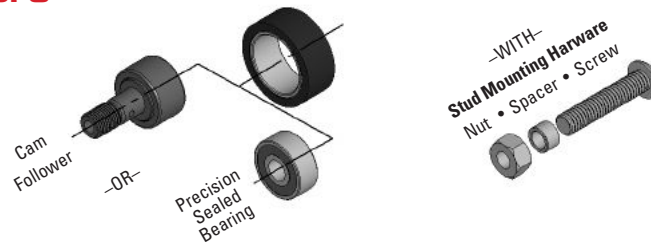
Shaft Drive - Solid - Finned - Durasoft



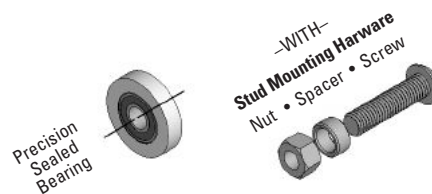
Press-Fit



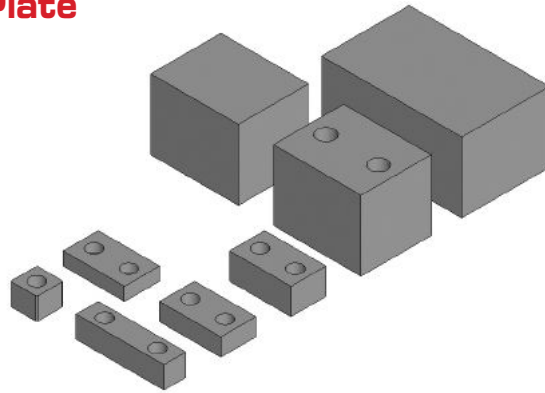
Cam Follower Covers



Covered Bearings

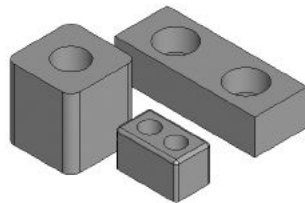


Steel Backing Plate



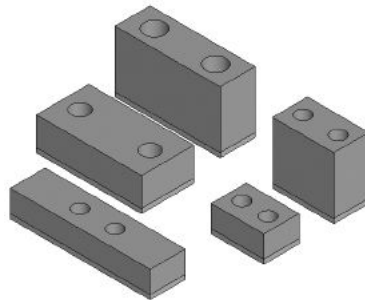
Length	Width	Height	Material	
3/4"	3/4"	5/8"	Ne	Ur
1-3/4"	1"	3/8"		Ur
1-3/4"	1"	1/2"		Ur
1-3/4"	1"	3/4"	Ne	Ur
2-1/2"	5/8"	5/8"	Ne	Ur
2-1/2"	2"	2"	Ne	Ur
4"	2-1/2"	2"	Ne	

No Backing Plate



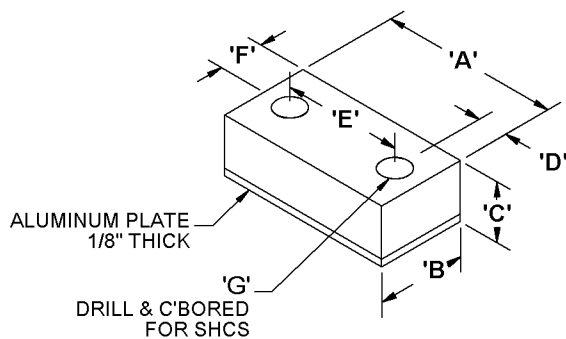
Length	Width	Height	Material	
1-3/4"	1"	1"	Ne	
1-7/8"	1-7/8"	2"	Ne	
4"	1-1/2"	1"	Ne	

Aluminum Backing Plate



Length	Width	Height	Material	
1-1/2"	1"	3/4"	Ne	
1-3/4"	1"	1-3/4"	Ne	
3"	1"	1-3/4"	Ne	
3"	1-1/2"	1"	Ne	
4"	1"	3/4"	Ne	

Custom



DIMENSIONS REQUIRED FOR A CUSTOM BUMPER

'A'	'B'	'C'	'D'	'C'	'C'	'C'

NOTE: 'C' DIMENSION AVAILABLE FROM 3/8" to 2"

MAXIMUM LENGTH x WIDTH = 24" x 24"

BUMPER OVERVIEW - Round

Material: Ne = Neoprene; Ni = Nitrile; Ur = Urethane

Hex Mount:

Male Thread



DIA	Material		
	Ne	Ni	Ur
3/4"	Ne	Ni	Ur
19mm	Ne		Ur

Female Thread



DIA	Material		
	Ne	Ni	Ur
3/4"			Ur

Flush Mount:

Male Thread



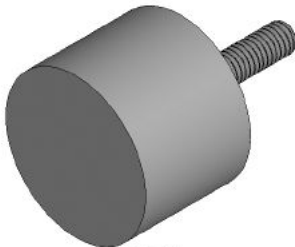
DIA	Material		
	Ne	Ni	Ur
3/4"	Ne	Ni	Ur
19mm	Ne		Ur



DIA	Material		
	Ne	Ni	Ur
1-1/4"	Ne	Ni	Ur
32mm / 45mm	Ne		Ur



DIA	Material		
	Ne	Ni	Ur
1-1/2"	Ne		Ur



DIA	Material		
	Ne	Ni	Ur
2"	Ne		



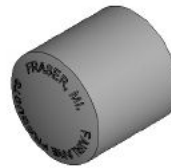
DIA	Material		
	Ne	Ni	Ur
1" to 4"			Ur

*Supplied with locknut.

Female Thread

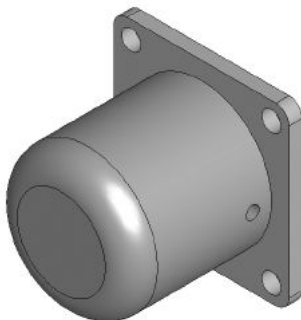


DIA	Material		
	Ne	Ni	Ur
3/4"	Ne	Ni	Ur
19mm	Ne		Ur



DIA	Material		
	Ne	Ni	Ur
1-1/4" to 2-1/4"	Ne	Ni	Ur
32mm to 57mm	Ne		Ur

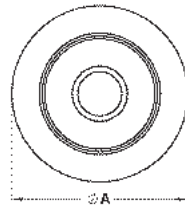
Plate Mount:



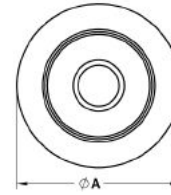
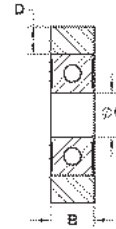
DIA	Material		
	Ne	Ni	Ur
2" to 4"			Ur

URETHANE COVERED BEARINGS

**EXPANDED
LINE**



Single Bearing



Double Bearing

MA MODIFICATIONS
AVAILABLE

These covered bearings have a smooth urethane surface that is cast directly to a precision sealed ball bearing. They provide smooth, quiet and non-marring operation. The urethane provides excellent abrasion resistance and durability. They are available with hardness ranging from 35 to 95 durometer. See page 46 for material and durometer specifications. Line drawings shown are not proportional for all parts. For specific application requirements, custom modifications are available for this product line. View and download part CAD models at www.fairlaneproducts.com. To order part, add desired durometer (xx) to the part number. Sample CB-041605-35UR.

Single Bearing Style

INCH							
Part #	A	B	C	(Ref) D	Bearing Number	xx = Durometer	
CB-03123.15-xxUR	.750	.196	.187	.12	R3-2RS	35 / 60 / 95	
CB-04143.15-xxUR	.875	.196	.250	.12	R4-2RS	35 / 60 / 95	
CB-041605-xxUR	1.00	.313	.250	.15	1602-2RS	35 / 60 / 95	
CB-05205.5-xxUR	1.25	.343	.312	.18	1603-2RS	35 / 60 / 95	
CB-05245.5-xxUR	1.50	.343	.312	.31	1603-2RS	35 / 60 / 95	
CB-0618.505-xxUR	1.16	.312	.375	.12	1606-2RS	35 / 60 / 95	
CB-06205.5-xxUR	1.25	.343	.375	.18	1604-2RS	35 / 60 / 95	
CB-06245.5-xxUR	1.50	.343	.375	.31	1604-2RS	35 / 60 / 95	
CB-082406-xxUR	1.50	.375	.500	.18	1616-2RS	35 / 60 / 95	
CB-082806-xxUR	1.75	.375	.500	.31	1616-2RS	35 / 60 / 95	
CB-083206-xxUR	2.00	.375	.500	.43	1616-2RS	35 / 60 / 95	
CB-102807-xxUR	1.75	.438	.625	.18	1623-2RS	95	
CB-123208-xxUR	2.00	.500	.750	.18	1630-2RS	95	
CB-144009-xxUR	2.50	.563	.875	.25	1640-2RS	95	
CB-164809-xxUR	3.00	.563	1.000	.50	1641-2RS	95	

METRIC							
Part #	A	B	C	(Ref) D	Bearing Number	xx = Durometer	
MCB-052005-xxUR	20	5	5	3	605-2RS	35 / 60 / 95	
MCB-062506-xxUR	25	6	6	3	606-2RS	35 / 60 / 95	
MCB-083007-xxUR	30	7	8	4	608-2RS	35 / 60 / 95	
MCB-093507-xxUR	35	7	9	6	609-2RS	35 / 60 / 95	
MCB-103508-xxUR	35	8	10	5	6000-2RS	35 / 60 / 95	
MCB-104008-xxUR	40	8	10	7	6000-2RS	35 / 60 / 95	
MCB-124008-xxUR	40	8	12	6	6001-2RS	35 / 60 / 95	
MCB-125008-xxUR	50	8	12	11	6001-2RS	35 / 60 / 95	
MCB-154509-95UR	45	9	15	7	6002-2RS	95	
MCB-175010-95UR	50	10	17	8	6003-2RS	95	
MCB-206012-95UR	60	12	20	9	6004-2RS	95	
MCB-257012-95UR	70	12	25	12	6005-2RS	95	

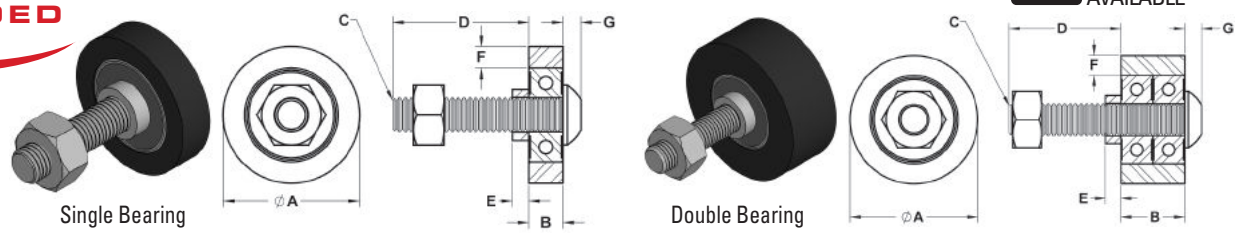
Double Bearing Style

INCH							
Part #	A	B	C	(Ref) D	Bearing Number	xx = Durometer	
CBD-03126.3-xxUR	.750	.392	.187	.12	R3-2RS	35 / 60 / 95	
CBD-04146.3-xxUR	.875	.392	.250	.12	R4-2RS	35 / 60 / 95	
CBD-041610-xxUR	1.00	.625	.250	.15	1602-2RS	35 / 60 / 95	
CBD-052011-xxUR	1.25	.688	.312	.18	1603-2RS	35 / 60 / 95	
CBD-052411-xxUR	1.50	.688	.312	.31	1603-2RS	35 / 60 / 95	
CBD-0618.510-xxUR	1.16	.625	.375	.12	1606-2RS	35 / 60 / 95	
CBD-062011-xxUR	1.25	.688	.375	.18	1604-2RS	35 / 60 / 95	
CBD-062411-xxUR	1.50	.688	.375	.31	1604-2RS	35 / 60 / 95	
CBD-082412-xxUR	1.50	.750	.500	.18	1616-2RS	35 / 60 / 95	
CBD-082812-xxUR	1.75	.750	.500	.31	1616-2RS	35 / 60 / 95	
CBD-083212-xxUR	2.00	.750	.500	.43	1616-2RS	35 / 60 / 95	
CBD-102814-xxUR	1.75	.875	.625	.18	1623-2RS	95	
CBD-123216-xxUR	2.00	1.000	.750	.18	1630-2RS	95	
CBD-144018-xxUR	2.50	1.125	.875	.25	1640-2RS	95	
CBD-164818-xxUR	3.00	1.125	1.000	.50	1641-2RS	95	

METRIC							
Part #	A	B	C	(Ref) D	Bearing Number	xx = Durometer	
MCBD-052010-xxUR	20	10	5	3	605-2RS	35 / 60 / 95	
MCBD-062512-xxUR	25	12	6	3	606-2RS	35 / 60 / 95	
MCBD-083014-xxUR	30	14	8	4	608-2RS	35 / 60 / 95	
MCBD-093514-xxUR	35	14	9	6	609-2RS	35 / 60 / 95	
MCBD-103516-xxUR	35	16	10	5	6000-2RS	35 / 60 / 95	
MCBD-104016-xxUR	40	16	10	7	6000-2RS	35 / 60 / 95	
MCBD-124016-xxUR	40	16	12	6	6001-2RS	35 / 60 / 95	
MCBD-125016-xxUR	50	16	12	11	6001-2RS	35 / 60 / 95	
MCBD-154518-95UR	45	18	15	7	6002-2RS	95	
MCBD-175020-95UR	50	20	17	8	6003-2RS	95	
MCBD-206024-95UR	60	24	20	9	6004-2RS	95	
MCBD-257024-95UR	70	24	25	12	6005-2RS	95	

STUD MOUNT URETHANE COVERED BEARINGS

EXPANDED LINE



These covered bearings have a smooth urethane surface that is cast to the precision sealed ball bearing. They provide smooth, quiet and non-marring operation. The urethane provides excellent abrasion resistance and durability. They are available with hardness ranging from 35 to 95 durometer. They come assembled with a button head cap screw, spacer and locknut for fast easy mounting. See page 46 for material and durometer specifications. See page 33 for replacement spacers, bolts and nuts. Line drawings shown are not proportional for all parts. Urethane diameter can be turned down to meet specific application requirements. For specific application requirements, custom modifications are available for this product line. View and download part CAD models at www.fairlaneproducts.com. To order part, add desired durometer (xx) to the part number. Sample CB-041605-35UR-C.

Single Bearing Style

INCH												
Part #	A	B	C	D	E	(Ref) F	G	Bearing Number	xx = Durometer	Spacer Part #	Bolt Part #	
CB-04143.15-xxUR-C	.875	.196	1/4-20	1.05	.12	.12	.13	R4-2RS	35 / 60 / 95	RSP-04-120	RCSB-1420-1250	
CB-041605-xxUR-C	1.00	.313	1/4-20	.94	.12	.15	.13	1602-2RS	35 / 60 / 95	RSP-04-120	RCSB-1420-1250	
CB-05205.5-xxUR-C	1.25	.343	5/16-18	1.16	.12	.18	.17	1603-2RS	35 / 60 / 95	RSP-05-120	RCSB-51618-1500	
CB-05245.5-xxUR-C	1.50	.343	5/16-18	1.16	.12	.31	.17	1603-2RS	35 / 60 / 95	RSP-05-120	RCSB-51618-1500	
CB-0618.505-xxUR-C	1.15	.312	3/8-16	1.19	.12	.12	.20	1606-2RS	35 / 60 / 95	RSP-06-120	RCSB-3816-1500	
CB-06205.5-xxUR-C	1.25	.343	3/8-16	1.16	.12	.18	.20	1604-2RS	35 / 60 / 95	RSP-06-120	RCSB-3816-1500	
CB-06245.5-xxUR-C	1.50	.343	3/8-16	1.16	.12	.31	.20	1604-2RS	35 / 60 / 95	RSP-06-120	RCSB-3816-1500	
CB-082406-xxUR-C	1.50	.375	1/2-13	1.63	.12	.18	.27	1616-2RS	35 / 60 / 95	RSP-08-120	RCSB-1213-2000	
CB-082806-xxUR-C	1.75	.375	1/2-13	1.63	.12	.31	.27	1616-2RS	35 / 60 / 95	RSP-08-120	RCSB-1213-2000	
CB-083206-xxUR-C	2.00	.375	1/2-13	1.63	.12	.43	.27	1616-2RS	35 / 60 / 95	RSP-08-120	RCSB-1213-2000	
CB-102807-xxUR-C	1.75	.438	5/8-11	1.81	.12	.18	.33	1623-2RS	95	RSP-10-120	RCSB-5811-2250	

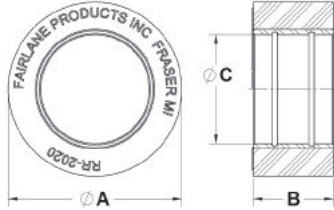
METRIC												
Part #	A	B	C	D	E	(Ref) F	G	Bearing Number	xx = Durometer	Spacer Part #	Bolt Part #	
MCB-052005-xxUR-C	20	5	M5X0.8	30	3	3	2.8	605-2RS	35 / 60 / 95	RSPA-M5-3	RCSB-M508-035	
MCB-062506-xxUR-C	25	6	M6X1.0	34	3	3	3.3	606-2RS	35 / 60 / 95	RSPA-M6-3	RCSB-M610-040	
MCB-083007-xxUR-C	30	7	M8X1.25	33	3	4	4.4	608-2RS	35 / 60 / 95	RSPA-M8-3	RCSB-M8125-040	
MCB-103508-xxUR-C	35	8	M10X1.5	37	3	4.5	5.5	6000-2RS	35 / 60 / 95	RSPA-M10-3	RCSB-M10150-045	
MCB-104008-xxUR-C	40	8	M10X1.5	37	3	7	5.5	6000-2RS	35 / 60 / 95	RSPA-M10-3	RCSB-M10150-045	
MCB-124008-xxUR-C	40	8	M12X1.75	37	3	6	6.6	6001-2RS	35 / 60 / 95	RSPA-M12-3	RCSB-M12175-045	
MCB-125008-xxUR-C	50	8	M12X1.75	37	3	11	6.6	6001-2RS	35 / 60 / 95	RSPA-M12-3	RCSB-M12175-045	

Double Bearing Style

INCH												
Part #	A	B	C	D	E	(Ref) F	G	Bearing Number	xx = Durometer	Spacer Part #	Bolt Part #	
CBD-04146.3-xxUR-C	.875	.392	1/4-20	1.11	.12	.12	.13	R4-2RS	35 / 60 / 95	RSP-04-120	RCSB-1420-1500	
CBD-041610-xxUR-C	1.00	.625	1/4-20	.88	.12	.15	.13	1602-2RS	35 / 60 / 95	RSP-04-120	RCSB-1420-1500	
CBD-052011-xxUR-C	1.25	.688	5/16-18	1.06	.12	.18	.17	1603-2RS	35 / 60 / 95	RSP-05-120	RCSB-51618-1750	
CBD-052411-xxUR-C	1.50	.688	5/16-18	1.06	.12	.31	.17	1603-2RS	35 / 60 / 95	RSP-05-120	RCSB-51618-1750	
CBD-0618.510-xxUR-C	1.15	.625	3/8-16	1.13	.12	.12	.20	1606-2RS	35 / 60 / 95	RSP-06-120	RCSB-3816-1750	
CBD-062011-xxUR-C	1.25	.688	3/8-16	1.06	.12	.18	.20	1604-2RS	35 / 60 / 95	RSP-06-120	RCSB-3816-1750	
CBD-062411-xxUR-C	1.50	.688	3/8-16	1.06	.12	.31	.20	1604-2RS	35 / 60 / 95	RSP-06-120	RCSB-3816-1750	
CBD-082412-xxUR-C	1.50	.750	1/2-13	1.25	.12	.18	.27	1616-2RS	35 / 60 / 95	RSP-08-120	RCSB-1213-2000	
CBD-082812-xxUR-C	1.75	.750	1/2-13	1.25	.12	.31	.27	1616-2RS	35 / 60 / 95	RSP-08-120	RCSB-1213-2000	
CBD-083212-xxUR-C	2.00	.750	1/2-13	1.25	.12	.43	.27	1616-2RS	35 / 60 / 95	RSP-08-120	RCSB-1213-2000	
CBD-102814-xxUR-C	1.75	.875	5/8-11	1.38	.12	.18	.33	1623-2RS	95	RSP-10-120	RCSB-5811-2250	

METRIC												
Part #	A	B	C	D	E	(Ref) F	G	Bearing Number	xx = Durometer	Spacer Part #	Bolt Part #	
MCBD-052010-xxUR-C	20	10	M5X0.8	25	3	3	2.8	605-2RS	35 / 60 / 95	RSPA-M5-3	RCSB-M508-035	
MCBD-062512-xxUR-C	25	12	M6X1.0	28	3	3	3.3	606-2RS	35 / 60 / 95	RSPA-M6-3	RCSB-M610-040	
MCBD-083014-xxUR-C	30	14	M8X1.25	26	3	4	4.4	608-2RS	35 / 60 / 95	RSPA-M8-3	RCSB-M8125-040	
MCBD-103516-xxUR-C	35	16	M10X1.5	29	3	4.5	5.5	6000-2RS	35 / 60 / 95	RSPA-M10-3	RCSB-M10150-045	
MCBD-104016-xxUR-C	40	16	M10X1.5	29	3	7	5.5	6000-2RS	35 / 60 / 95	RSPA-M10-3	RCSB-M10150-045	
MCBD-124016-xxUR-C	40	16	M12X1.75	29	3	6	6.6	6001-2RS	35 / 60 / 95	RSPA-M12-3	RCSB-M12175-045	
MCBD-125016-xxUR-C	50	16	M12X1.75	29	3	11	6.6	6001-2RS	35 / 60 / 95	RSPA-M12-3	RCSB-M12175-045	

ROLLER ONLY - SOLID ROLLERS

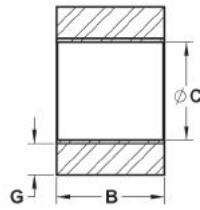
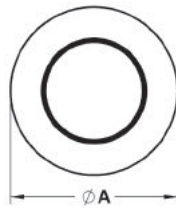


MA MODIFICATIONS AVAILABLE

Solid rollers have a smooth surface and are permanently bonded to a steel insert. The steel insert provides rigidity and allows the user to customize the mounting configuration based on the application. Rollers are available in neoprene, nitrile and urethane materials with hardness ranging from 20 to 95 durometer. See page 46 for material and durometer specifications. Line drawings shown are not proportional for all parts. For specific application requirements, custom modifications are available for this product line. View and download part CAD models at www.fairlaneproducts.com. To order part, add desired durometer (xx) to the part number. Sample RR-215-20-R.

Part #	Material	A	B	C	xx = Durometer
RR-215-xx-R	Neoprene	1.50	1.25	.877/.880	20 / 35 / 60 / 80
RR-215-xxW-R	Nitrile	1.50	1.25	.877/.880	20 / 35 / 60 / 80
RR-215-xxUR-R	Urethane	1.50	1.25	.877/.880	35 / 60 / 80 / 95
RR-92020-xx-RP	Neoprene	2.00	.92	1.125/1.128	20 / 35 / 60 / 80
RR-92020-xxW-RP	Nitrile	2.00	.92	1.125/1.128	20 / 35 / 60 / 80
RR-92020-xxUR-RP	Urethane	2.00	.92	1.125/1.128	35 / 60 / 80 / 95
RR-92020-xx-R	Neoprene	2.00	.92	1.252/1.256	20 / 35 / 60 / 80
RR-92020-xxW-R	Nitrile	2.00	.92	1.252/1.256	20 / 35 / 60 / 80
RR-92020-xxUR-R	Urethane	2.00	.92	1.252/1.256	35 / 60 / 80 / 95
RR-2020-xx-RP	Neoprene	2.00	1.94	1.125/1.128	20 / 35 / 60 / 80
RR-2020-xxW-RP	Nitrile	2.00	1.94	1.125/1.128	20 / 35 / 60 / 80
RR-2020-xxUR-RP	Urethane	2.00	1.94	1.125/1.128	35 / 60 / 80 / 95
RR-2020-xx-R	Neoprene	2.00	1.94	1.252/1.256	20 / 35 / 60 / 80
RR-2020-xxW-R	Nitrile	2.00	1.94	1.252/1.256	20 / 35 / 60 / 80
RR-2020-xxUR-R	Urethane	2.00	1.94	1.252/1.256	35 / 60 / 80 / 95
RR-9502-xx-RP	Neoprene	2.50	.92	1.125/1.128	20 / 35 / 60 / 80
RR-9502-xxW-RP	Nitrile	2.50	.92	1.125/1.128	20 / 35 / 60 / 80
RR-9502-xxUR-RP	Urethane	2.50	.92	1.125/1.128	35 / 60 / 80 / 95
RR-9502-xx-R	Neoprene	2.50	.92	1.252/1.256	20 / 35 / 60 / 80
RR-9502-xxW-R	Nitrile	2.50	.92	1.252/1.256	20 / 35 / 60 / 80
RR-9502-xxUR-R	Urethane	2.50	.92	1.252/1.256	35 / 60 / 80 / 95
RR-502-xx-RP	Neoprene	2.50	1.94	1.125/1.128	20 / 35 / 60 / 80
RR-502-xxW-RP	Nitrile	2.50	1.94	1.125/1.128	20 / 35 / 60 / 80
RR-502-xxUR-RP	Urethane	2.50	1.94	1.125/1.128	35 / 60 / 80 / 95
RR-502-xx-R	Neoprene	2.50	1.94	1.252/1.256	20 / 35 / 60 / 80
RR-502-xxW-R	Nitrile	2.50	1.94	1.252/1.256	20 / 35 / 60 / 80
RR-502-xxUR-R	Urethane	2.50	1.94	1.252/1.256	35 / 60 / 80 / 95
RR-9754-xx-RP	Neoprene	4.00	.92	1.125/1.128	20 / 35 / 60 / 80
RR-9754-xxW-RP	Nitrile	4.00	.92	1.125/1.128	20 / 35 / 60 / 80
RR-9754-xxUR-RP	Urethane	4.00	.92	1.125/1.128	35 / 60 / 80 / 95
RR-9754-xx-R	Neoprene	4.00	.92	1.252/1.256	20 / 35 / 60 / 80
RR-9754-xxW-R	Nitrile	4.00	.92	1.252/1.256	20 / 35 / 60 / 80
RR-9754-xxUR-R	Urethane	4.00	.92	1.252/1.256	35 / 60 / 80 / 95
RR-754-xx-RP	Neoprene	4.00	1.94	1.125/1.128	20 / 35 / 60 / 80
RR-754-xxW-RP	Nitrile	4.00	1.94	1.125/1.128	20 / 35 / 60 / 80
RR-754-xxUR-RP	Urethane	4.00	1.94	1.125/1.128	35 / 60 / 80 / 95
RR-754-xx-R	Neoprene	4.00	1.94	1.252/1.256	20 / 35 / 60 / 80
RR-754-xxW-R	Nitrile	4.00	1.94	1.252/1.256	20 / 35 / 60 / 80
RR-754-xxUR-R	Urethane	4.00	1.94	1.252/1.256	35 / 60 / 80 / 95
RR-5020-xxUR-RP	Urethane	5.00	1.94	1.125/1.128	35 / 60 / 80
RR-5020-xxUR-R	Urethane	5.00	1.94	1.252/1.256	35 / 60 / 80
RR-6020-xxUR-RP	Urethane	6.00	1.94	1.125/1.128	35 / 60 / 80
RR-6020-xxUR-R	Urethane	6.00	1.94	1.252/1.256	35 / 60 / 80

ROLLER ONLY - PRESS-FIT STYLE ROLLERS

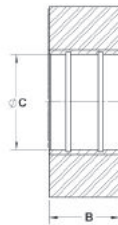


MA MODIFICATIONS AVAILABLE

Press fit rollers have a smooth surface and are permanently bonded to a steel insert. The steel insert provides rigidity and allows the user to customize the mounting configuration based on the application. Designed for a .001" - .002" press fit. Rollers are made from urethane with hardness ranging from 35 to 60 durometer. See page 46 for material and durometer specifications. Line drawings shown are not proportional for all parts. For specific application requirements, custom modifications are available for this product line. View and download part CAD models at www.fairlaneproducts.com. To order part, add desired durometer (xx) to the part number. Sample PR-142832-35UR.

Part #	A	B	C	(Ref) G	xx = Durometer
PR-142832-xxUR	1.75	1.94	.875	.37	35 / 60
PR-163232-xxUR	2.00	1.94	1.000	.43	35 / 60
PR-183232-xxUR	2.00	1.94	1.125	.37	35 / 60
PR-183632-xxUR	2.25	1.94	1.125	.50	35 / 60
PR-184832-xxUR	3.00	1.94	1.125	.87	35 / 60
PR-224032-xxUR	2.50	1.94	1.375	.50	35 / 60
PR-244032-xxUR	2.50	1.94	1.500	.43	35 / 60
PR-284832-xxUR	3.00	1.94	1.750	.56	35 / 60
PR-325632-xxUR	3.50	1.94	2.000	.62	35 / 60

ROLLER ONLY - DURASOFT® ROLLERS

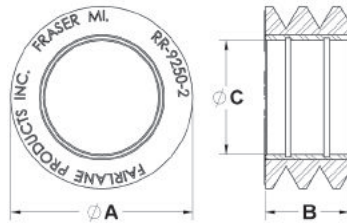


MA MODIFICATIONS AVAILABLE

DuraSoft rollers have a smooth surface and are permanently bonded to a steel insert. The steel insert provides rigidity and allows the user to customize the mounting configuration based on the application. The "teardrop" holes allow the roller to flex for firm yet non-damaging contact. Rollers are available in neoprene, nitrile and urethane materials with hardness ranging from 20 to 95 durometer. See page 46 for material and durometer specifications. Line drawings shown are not proportional for all parts. For specific application requirements, custom modifications are available for this product line. View and download part CAD models at www.fairlaneproducts.com. To order part, add desired durometer (xx) to the part number. Sample DR-9502-35UR-RP.

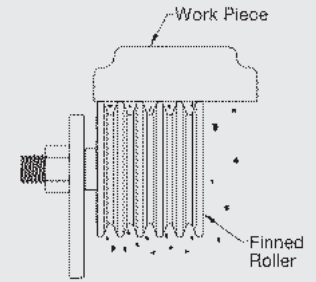
Part #	Material	A	B	C	xx = Durometer
DR-9502-xxUR-RP	Urethane	2.50	.92	1.125/1.128	35 / 60 / 80 / 95
DR-9502-xxUR-R	Urethane	2.50	.92	1.252/1.256	35 / 60 / 80 / 95
DR-502-xxUR-RP	Urethane	2.50	1.94	1.125/1.128	35 / 60 / 80 / 95
DR-502-xxUR-R	Urethane	2.50	1.94	1.252/1.256	35 / 60 / 80 / 95
DR-9754-xx-RP	Neoprene	4.00	.92	1.125/1.128	20 / 35
DR-9754-xxW-RP	Nitrile	4.00	.92	1.125/1.128	20 / 35
DR-9754-xxUR-RP	Urethane	4.00	.92	1.125/1.128	35 / 60 / 80 / 95
DR-9754-xx-R	Neoprene	4.00	.92	1.252/1.256	20 / 35
DR-9754-xxW-R	Nitrile	4.00	.92	1.252/1.256	20 / 35
DR-9754-xxUR-R	Urethane	4.00	.92	1.252/1.256	35 / 60 / 80 / 95
DR-754-xx-RP	Neoprene	4.00	1.94	1.125/1.128	20 / 35
DR-754-xxW-RP	Nitrile	4.00	1.94	1.125/1.128	20 / 35
DR-754-xxUR-RP	Urethane	4.00	1.94	1.125/1.128	35 / 60 / 80 / 95
DR-754-xx-R	Neoprene	4.00	1.94	1.252/1.256	20 / 35
DR-754-xxW-R	Nitrile	4.00	1.94	1.252/1.256	20 / 35
DR-754-xxUR-R	Urethane	4.00	1.94	1.252/1.256	35 / 60 / 80 / 95

ROLLER ONLY - FINNED ROLLERS



MA MODIFICATIONS AVAILABLE

How To Use

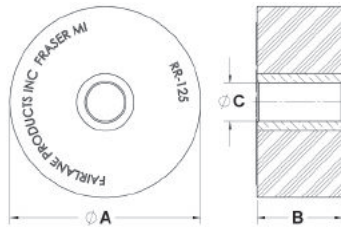


Fins on rollers prevent dirt and debris from becoming embedded in the roller surface.

Finned rollers have grooves on the surface and are permanently bonded to a steel insert. The steel insert provides rigidity and allows the user to customize the mounting configuration based on the application. The grooves create less surface contact on the work piece and allow dirt, debris and liquids to pass. Rollers are available in neoprene, nitrile and urethane materials with hardness ranging from 20 to 60 durometer. See page 46 for material and durometer specifications. Line drawings shown are not proportional for all parts. For specific application requirements, custom modifications are available for this product line. View and download part CAD models at www.fairlaneproducts.com. To order part, add desired durometer (xx) to the part number. Sample RR-9250-2-20-RP.

Material	Part #	A	B	C	# of Fins	xx = Durometer
RR-9250-2-xx-RP	Neoprene	2.00	.92	1.125/1.128	3	20 / 35 / 60
RR-9250-2-xxW-RP	Nitrile	2.00	.92	1.125/1.128	3	20 / 35 / 60
RR-9250-2-xxUR-RP	Urethane	2.00	.92	1.125/1.128	3	35 / 60
RR-9250-2-xx-R	Neoprene	2.00	.92	1.252/1.256	3	20 / 35 / 60
RR-9250-2-xxW-R	Nitrile	2.00	.92	1.252/1.256	3	20 / 35 / 60
RR-9250-2-xxUR-R	Urethane	2.00	.92	1.252/1.256	3	35 / 60
RR-250-2-xx-RP	Neoprene	2.00	1.94	1.125/1.128	6	20 / 35 / 60
RR-250-2-xxW-RP	Nitrile	2.00	1.94	1.125/1.128	6	20 / 35 / 60
RR-250-2-xxUR-RP	Urethane	2.00	1.94	1.125/1.128	6	35 / 60
RR-250-2-xx-R	Neoprene	2.00	1.94	1.252/1.256	6	20 / 35 / 60
RR-250-2-xxW-R	Nitrile	2.00	1.94	1.252/1.256	6	20 / 35 / 60
RR-250-2-xxUR-R	Urethane	2.00	1.94	1.252/1.256	6	35 / 60
RR-9250-xx-RP	Neoprene	2.50	.92	1.125/1.128	3	20 / 35 / 60
RR-9250-xxW-RP	Nitrile	2.50	.92	1.125/1.128	3	20 / 35 / 60
RR-9250-xxUR-RP	Urethane	2.50	.92	1.125/1.128	3	35 / 60
RR-9250-xx-R	Neoprene	2.50	.92	1.252/1.256	3	20 / 35 / 60
RR-9250-xxW-R	Nitrile	2.50	.92	1.252/1.256	3	20 / 35 / 60
RR-9250-xxUR-R	Urethane	2.50	.92	1.252/1.256	3	35 / 60
RR-250-xx-RP	Neoprene	2.50	1.94	1.125/1.128	6	20 / 35 / 60
RR-250-xxW-RP	Nitrile	2.50	1.94	1.125/1.128	6	20 / 35 / 60
RR-250-xxUR-RP	Urethane	2.50	1.94	1.125/1.128	6	35 / 60
RR-250-xx-R	Neoprene	2.50	1.94	1.252/1.256	6	20 / 35 / 60
RR-250-xxW-R	Nitrile	2.50	1.94	1.252/1.256	6	20 / 35 / 60
RR-250-xxUR-R	Urethane	2.50	1.94	1.252/1.256	6	35 / 60
RR-667-xx-RP	Neoprene	4.00	1.94	1.125/1.128	8	35 / 60
RR-667-xxW-RP	Nitrile	4.00	1.94	1.125/1.128	8	35 / 60
RR-667-xxUR-RP	Urethane	4.00	1.94	1.125/1.128	8	35 / 60
RR-667-xx-R	Neoprene	4.00	1.94	1.252/1.256	8	35 / 60
RR-667-xxW-R	Nitrile	4.00	1.94	1.252/1.256	8	35 / 60
RR-667-xxUR-R	Urethane	4.00	1.94	1.252/1.256	8	35 / 60

BRONZE BUSHING - SOLID ROLLERS

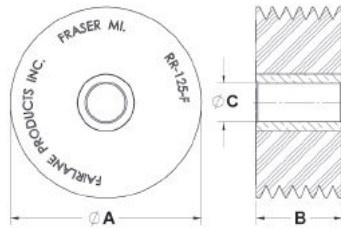


MA MODIFICATIONS AVAILABLE

Solid rollers have a smooth surface and are permanently bonded to a bronze insert. The SAE 660 bronze insert provides rigidity as well as self lubrication. Rollers are available in neoprene, nitrile and urethane materials with hardness ranging from 60 to 80 durometer. See page 46 for material and durometer specifications. For specific application requirements, custom modifications are available for this product line. To order part, add desired durometer (xx) to the part number. Sample RR-125-60.

Part #	Material	A	B	C	xx = Durometer
RR-125-xx	Neoprene	2.50	1.125	.501/.504	60
RR-125-xxUR	Urethane	2.50	1.125	.501/.504	60 / 80

BRONZE BUSHING - FINNED ROLLERS



MA MODIFICATIONS AVAILABLE

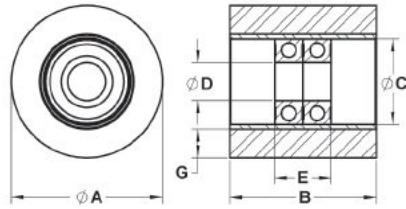
Finned rollers have grooves on the surface and are permanently bonded to a bronze bushing. The SAE 660 bronze insert provides rigidity as well as self lubrication. The grooves create less surface contact on the work piece and allow dirt, debris and liquids to pass. Rollers are available in neoprene and nitrile materials with hardness of 60 durometer. See page 46 for material and durometer specifications. For specific application requirements, custom modifications are available for this product line. To order part, add desired durometer (xx) to the part number. Sample RR-125-2F-60.

Part #	Material	A	B	C	# of Fins	xx = Durometer
RR-125-2F-xx	Neoprene	1.50	1.125	.501/.504	7	60
RR-125-F-xx	Neoprene	2.50	1.125	.501/.504	7	60

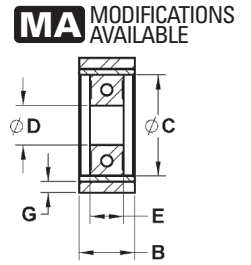
BEARING MOUNT - PRESS-FIT STYLE ROLLERS



Soft Durometer



Hard Durometer



Press fit rollers have a smooth urethane surface and are permanently bonded to a steel insert with a precision sealed bearing press fit and bonded into place. They are made from urethane with hardness ranging from 35 to 95 durometer. See page 46 for material and durometer specifications. Line drawings shown are not proportional for all parts. For specific application requirements, custom modifications are available for this product line. View and download part CAD models at www.fairlaneproducts.com. To order Soft Durometer style rollers, add desired durometer (xx) to the part number. Sample PR-142832-35UR-05B.

Soft Durometer

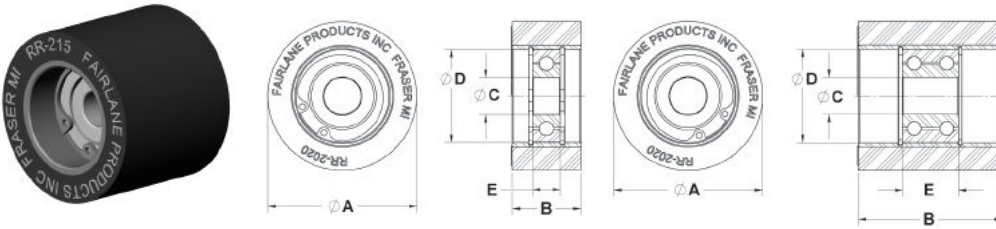
Part #	A	B	C	D	(Ref) E	(Ref) G	# of Bearings	Bearing Number	xx = Durometer
PR-142832-xxUR-05B	1.75	1.94	.875	.312	11/16	.37	2	1603-2RS	35 / 60
PR-142832-xxUR-06B	1.75	1.94	.875	.375	11/16	.37	2	1604-2RS	35 / 60
PR-183232-xxUR-08B	2.00	1.94	1.125	.500	3/4	.37	2	1616-2RS	35 / 60
PR-183232-xxUR-06B	2.00	1.94	1.125	.375	3/4	.37	2	1614-2RS	35 / 60
PR-183232-xxUR-07B	2.00	1.94	1.125	.437	3/4	.37	2	1615-2RS	35 / 60
PR-183632-xxUR-08B	2.25	1.94	1.125	.500	3/4	.50	2	1616-2RS	35 / 60
PR-183632-xxUR-06B	2.25	1.94	1.125	.375	3/4	.50	2	1614-2RS	35 / 60
PR-183632-xxUR-07B	2.25	1.94	1.125	.437	3/4	.50	2	1615-2RS	35 / 60
PR-224032-xxUR-10B	2.50	1.94	1.375	.625	7/8	.50	2	1623-2RS	35 / 60
PR-224032-xxUR-07B	2.50	1.94	1.375	.437	7/8	.50	2	1620-2RS	35 / 60
PR-224032-xxUR-08B	2.50	1.94	1.375	.500	7/8	.50	2	1621-2RS	35 / 60
PR-184832-xxUR-08B	3.00	1.94	1.125	.500	3/4	.87	2	1616-2RS	35 / 60
PR-184832-xxUR-06B	3.00	1.94	1.125	.375	3/4	.87	2	1614-2RS	35 / 60
PR-184832-xxUR-07B	3.00	1.94	1.125	.437	3/4	.87	2	1615-2RS	35 / 60
PR-284832-xxUR-10B	3.00	1.94	1.750	.625	1	.56	2	1633-2RS	35 / 60
PR-284832-xxUR-12B	3.00	1.94	1.750	.750	1	.56	2	1635-2RS	35 / 60
PR-325632-xxUR-14B	3.50	1.94	2.000	.875	1-1/8	.62	2	1640-2RS	35 / 60
PR-325632-xxUR-16B	3.50	1.94	2.000	1.000	1-1/8	.62	2	1641-2RS	35 / 60
PR-325632-xxUR-12B	3.50	1.94	2.000	.750	1-1/8	.62	2	1638-2RS	35 / 60

Hard Durometer

Part #	A	B	C	D	(Ref) E	(Ref) G	# of Bearings	Bearing Number	Durometer
PR-081206-95UR-04B	.75	.38	.500	.250	3/16	.06	1	R188-2RS	95
PR-081206-95UR-03B	.75	.38	.500	.188	.196	.06	1	R3-2RS	95
PR-101407-95UR-04B	.88	.44	.625	.250	.196	.06	1	R4-2RS	95
PR-111607-95UR-04B	1.00	.44	.688	.250	5/16	.09	1	1602-2RS	95
PR-121808-95UR-04B	1.12	.50	.750	.250	9/32	.12	1	R4A-2RS	95
PR-142008-95UR-05B	1.25	.50	.875	.312	11/32	.12	1	1603-2RS	95
PR-142008-95UR-06B	1.25	.50	.875	.375	11/32	.12	1	1604-2RS	95
PR-182410-95UR-08B	1.50	.62	1.125	.500	3/8	.12	1	1616-2RS	95
PR-182410-95UR-06B	1.50	.62	1.125	.375	3/8	.12	1	1614-2RS	95
PR-182410-95UR-07B	1.50	.62	1.125	.437	3/8	.12	1	1615-2RS	95
PR-222812-95UR-10B	1.75	.75	1.375	.625	7/16	.12	1	1623-2RS	95
PR-222812-95UR-07B	1.75	.75	1.375	.437	7/16	.12	1	1620-2RS	95
PR-222812-95UR-08B	1.75	.75	1.375	.500	7/16	.12	1	1621-2RS	95
PR-263214-95UR-12B	2.00	.88	1.625	.750	1/2	.12	1	1630-2RS	95
PR-263214-95UR-10B	2.00	.88	1.625	.625	1/2	.12	1	1628-2RS	95
PR-283416-95UR-10B	2.12	1.00	1.750	.625	1/2	.12	1	1633-2RS	95
PR-283416-95UR-12B	2.12	1.00	1.750	.750	1/2	.12	1	1635-2RS	95
PR-303616-95UR-14B	2.25	1.00	1.875	.875	1/2	.12	1	R14-2RS	95
PR-324020-95UR-14B	2.50	1.25	2.000	.875	9/16	.12	1	1640-2RS	95
PR-324020-95UR-16B	2.50	1.25	2.000	1.000	9/16	.12	1	1641-2RS	95
PR-324020-95UR-12B	2.50	1.25	2.000	.750	9/16	.12	1	1638-2RS	95
PR-364420-95UR-20B	2.75	1.25	2.250	1.250	1/2	.12	1	R20-2RS	95
PR-404824-95UR-18B	3.00	1.50	2.500	1.125	5/8	.12	1	1652-2RS	95
PR-404824-95UR-20B	3.00	1.50	2.500	1.250	5/8	.12	1	1654-2RS	95
PR-404824-95UR-22B	3.00	1.50	2.500	1.375	9/16	.12	1	R22-2RS	95

BEARING MOUNT - SOLID ROLLERS

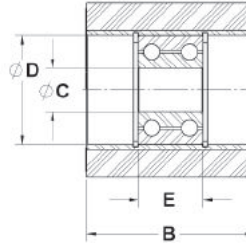
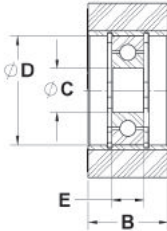
MA MODIFICATIONS AVAILABLE



Solid rollers have a smooth surface and are permanently bonded to a steel insert with the bearings held into place with snap rings. They are available with standard bearings, precision bearings and sealed precision bearings based on your application and environment. Rollers are available in neoprene, nitrile and urethane materials with hardness ranging from 20 to 95 durometer. See page 46 for material and durometer specifications. Line drawings shown are not proportional for all parts. For specific application requirements, custom modifications are available for this product line. View and download part CAD models at www.fairlaneproducts.com. See pages 44 and 45 for bearing type specifications. To order part, add desired durometer (xx) to the part number. Sample RR-215-20-B.

Part #	Material	A	B	C	D	(Ref) E	# of Bearings	Bearing Type	xx = Durometer
RR-215-xx-B	Neoprene	1.50	1.25	.313/.317	.877/.880	1/2	1	A - Standard	20 / 35 / 60 / 80
RR-215-xxW-B	Nitrile	1.50	1.25	.313/.317	.877/.880	1/2	1	A - Standard	20 / 35 / 60 / 80
RR-215-xxUR-B	Urethane	1.50	1.25	.313/.317	.877/.880	1/2	1	A - Standard	35 / 60 / 80 / 95
RR-215-xx-BP	Neoprene	1.50	1.25	.3122/.3125	.877/.880	9/16	2	D - Precision	20 / 35 / 60 / 80
RR-215-xxW-BP	Nitrile	1.50	1.25	.3122/.3125	.877/.880	9/16	2	D - Precision	20 / 35 / 60 / 80
RR-215-xxUR-BP	Urethane	1.50	1.25	.3122/.3125	.877/.880	9/16	2	D - Precision	35 / 60 / 80 / 95
RR-215-xx-BPC	Neoprene	1.50	1.25	.3122/.3125	.877/.880	11/16	2	E - Precision Sealed	20 / 35 / 60 / 80
RR-215-xxW-BPC	Nitrile	1.50	1.25	.3122/.3125	.877/.880	11/16	2	E - Precision Sealed	20 / 35 / 60 / 80
RR-215-xxUR-BPC	Urethane	1.50	1.25	.3122/.3125	.877/.880	11/16	2	E - Precision Sealed	35 / 60 / 80 / 95
RR-92020-xx-B	Neoprene	2.00	.92	.500/.505	1.252/1.256	3/8	1	B - Standard	20 / 35 / 60 / 80
RR-92020-xxW-B	Nitrile	2.00	.92	.500/.505	1.252/1.256	3/8	1	B - Standard	20 / 35 / 60 / 80
RR-92020-xxUR-B	Urethane	2.00	.92	.500/.505	1.252/1.256	3/8	1	B - Standard	35 / 60 / 80 / 95
RR-92020-xx-BP	Neoprene	2.00	.92	.4997/.5000	1.125/1.128	3/8	1	F - Precision	20 / 35 / 60 / 80
RR-92020-xxW-BP	Nitrile	2.00	.92	.4997/.5000	1.125/1.128	3/8	1	F - Precision	20 / 35 / 60 / 80
RR-92020-xxUR-BP	Urethane	2.00	.92	.4997/.5000	1.125/1.128	3/8	1	F - Precision	35 / 60 / 80 / 95
RR-92020-xx-BPC	Neoprene	2.00	.92	.4997/.5000	1.125/1.128	3/8	1	G - Precision Sealed	20 / 35 / 60 / 80
RR-92020-xxW-BPC	Nitrile	2.00	.92	.4997/.5000	1.125/1.128	3/8	1	G - Precision Sealed	20 / 35 / 60 / 80
RR-92020-xxUR-BPC	Urethane	2.00	.92	.4997/.5000	1.125/1.128	3/8	1	G - Precision Sealed	35 / 60 / 80 / 95
RR-2020-xx-B	Neoprene	2.00	1.94	.500/.505	1.252/1.256	3/4	1	C - Standard	20 / 35 / 60 / 80
RR-2020-xxW-B	Nitrile	2.00	1.94	.500/.505	1.252/1.256	3/4	1	C - Standard	20 / 35 / 60 / 80
RR-2020-xxUR-B	Urethane	2.00	1.94	.500/.505	1.252/1.256	3/4	1	C - Standard	35 / 60 / 80 / 95
RR-2020-xx-BP	Neoprene	2.00	1.94	.4997/.5000	1.125/1.128	3/4	2	F - Precision	20 / 35 / 60 / 80
RR-2020-xxW-BP	Nitrile	2.00	1.94	.4997/.5000	1.125/1.128	3/4	2	F - Precision	20 / 35 / 60 / 80
RR-2020-xxUR-BP	Urethane	2.00	1.94	.4997/.5000	1.125/1.128	3/4	2	F - Precision	35 / 60 / 80 / 95
RR-2020-xx-BPC	Neoprene	2.00	1.94	.4997/.5000	1.125/1.128	3/4	2	G - Precision Sealed	20 / 35 / 60 / 80
RR-2020-xxW-BPC	Nitrile	2.00	1.94	.4997/.5000	1.125/1.128	3/4	2	G - Precision Sealed	20 / 35 / 60 / 80
RR-2020-xxUR-BPC	Urethane	2.00	1.94	.4997/.5000	1.125/1.128	3/4	2	G - Precision Sealed	35 / 60 / 80 / 95
RR-9502-xx-B	Neoprene	2.50	.92	.500/.505	1.252/1.256	3/8	1	B - Standard	20 / 35 / 60 / 80
RR-9502-xxW-B	Nitrile	2.50	.92	.500/.505	1.252/1.256	3/8	1	B - Standard	20 / 35 / 60 / 80
RR-9502-xxUR-B	Urethane	2.50	.92	.500/.505	1.252/1.256	3/8	1	B - Standard	35 / 60 / 80 / 95
RR-9502-xx-BP	Neoprene	2.50	.92	.4997/.5000	1.125/1.128	3/8	1	F - Precision	20 / 35 / 60 / 80
RR-9502-xxW-BP	Nitrile	2.50	.92	.4997/.5000	1.125/1.128	3/8	1	F - Precision	20 / 35 / 60 / 80
RR-9502-xxUR-BP	Urethane	2.50	.92	.4997/.5000	1.125/1.128	3/8	1	F - Precision	35 / 60 / 80 / 95
RR-9502-xx-BPC	Neoprene	2.50	.92	.4997/.5000	1.125/1.128	3/8	1	G - Precision Sealed	20 / 35 / 60 / 80
RR-9502-xxW-BPC	Nitrile	2.50	.92	.4997/.5000	1.125/1.128	3/8	1	G - Precision Sealed	20 / 35 / 60 / 80
RR-9502-xxUR-BPC	Urethane	2.50	.92	.4997/.5000	1.125/1.128	3/8	1	G - Precision Sealed	35 / 60 / 80 / 95
RR-502-xx-B	Neoprene	2.50	1.94	.500/.505	1.252/1.256	3/4	1	C - Standard	20 / 35 / 60 / 80
RR-502-xxW-B	Nitrile	2.50	1.94	.500/.505	1.252/1.256	3/4	1	C - Standard	20 / 35 / 60 / 80
RR-502-xxUR-B	Urethane	2.50	1.94	.500/.505	1.252/1.256	3/4	1	C - Standard	35 / 60 / 80 / 95
RR-502-xx-BP	Neoprene	2.50	1.94	.4997/.5000	1.125/1.128	3/4	2	F - Precision	20 / 35 / 60 / 80
RR-502-xxW-BP	Nitrile	2.50	1.94	.4997/.5000	1.125/1.128	3/4	2	F - Precision	20 / 35 / 60 / 80
RR-502-xxUR-BP	Urethane	2.50	1.94	.4997/.5000	1.125/1.128	3/4	2	F - Precision	35 / 60 / 80 / 95
RR-502-xx-BPC	Neoprene	2.50	1.94	.4997/.5000	1.125/1.128	3/4	2	G - Precision Sealed	20 / 35 / 60 / 80
RR-502-xxW-BPC	Nitrile	2.50	1.94	.4997/.5000	1.125/1.128	3/4	2	G - Precision Sealed	20 / 35 / 60 / 80
RR-502-xxUR-BPC	Urethane	2.50	1.94	.4997/.5000	1.125/1.128	3/4	2	G - Precision Sealed	35 / 60 / 80 / 95

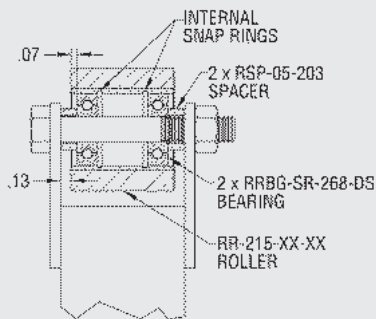
BEARING MOUNT - SOLID ROLLERS (cont)



MA MODIFICATIONS AVAILABLE

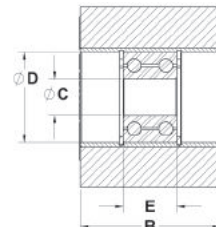
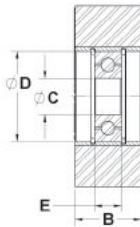
Part #	Material	A	B	C	D	(Ref) E	# of Bearings	Bearing Type	xx = Durometer
RR-9754-xx-B	Neoprene	4.00	.92	.500/.505	1.252/1.256	3/8	1	B - Standard	20 / 35 / 60 / 80
RR-9754-xxW-B	Nitrile	4.00	.92	.500/.505	1.252/1.256	3/8	1	B - Standard	20 / 35 / 60 / 80
RR-9754-xxUR-B	Urethane	4.00	.92	.500/.505	1.252/1.256	3/8	1	B - Standard	35 / 60 / 80 / 95
RR-9754-xx-BP	Neoprene	4.00	.92	.4997/.5000	1.125/1.128	3/8	1	F - Precision	20 / 35 / 60 / 80
RR-9754-xxW-BP	Nitrile	4.00	.92	.4997/.5000	1.125/1.128	3/8	1	F - Precision	20 / 35 / 60 / 80
RR-9754-xxUR-BP	Urethane	4.00	.92	.4997/.5000	1.125/1.128	3/8	1	F - Precision	35 / 60 / 80 / 95
RR-9754-xx-BPC	Neoprene	4.00	.92	.4997/.5000	1.125/1.128	3/8	1	G - Precision Sealed	20 / 35 / 60 / 80
RR-9754-xxW-BPC	Nitrile	4.00	.92	.4997/.5000	1.125/1.128	3/8	1	G - Precision Sealed	20 / 35 / 60 / 80
RR-9754-xxUR-BPC	Urethane	4.00	.92	.4997/.5000	1.125/1.128	3/8	1	G - Precision Sealed	35 / 60 / 80 / 95
RR-754-xx-B	Neoprene	4.00	1.94	.500/.505	1.252/1.256	3/4	1	C - Standard	20 / 35 / 60 / 80
RR-754-xxW-B	Nitrile	4.00	1.94	.500/.505	1.252/1.256	3/4	1	C - Standard	20 / 35 / 60 / 80
RR-754-xxUR-B	Urethane	4.00	1.94	.500/.505	1.252/1.256	3/4	1	C - Standard	35 / 60 / 80 / 95
RR-754-xx-BP	Neoprene	4.00	1.94	.4997/.5000	1.125/1.128	3/4	2	F - Precision	20 / 35 / 60 / 80
RR-754-xxW-BP	Nitrile	4.00	1.94	.4997/.5000	1.125/1.128	3/4	2	F - Precision	20 / 35 / 60 / 80
RR-754-xxUR-BP	Urethane	4.00	1.94	.4997/.5000	1.125/1.128	3/4	2	F - Precision	35 / 60 / 80 / 95
RR-754-xx-BPC	Neoprene	4.00	1.94	.4997/.5000	1.125/1.128	3/4	2	G - Precision Sealed	20 / 35 / 60 / 80
RR-754-xxW-BPC	Nitrile	4.00	1.94	.4997/.5000	1.125/1.128	3/4	2	G - Precision Sealed	20 / 35 / 60 / 80
RR-754-xxUR-BPC	Urethane	4.00	1.94	.4997/.5000	1.125/1.128	3/4	2	G - Precision Sealed	35 / 60 / 80 / 95
RR-5020-xxUR-B	Urethane	5.00	1.94	.500/.505	1.252/1.256	3/4	1	C - Standard	35 / 60 / 80
RR-5020-xxUR-BP	Urethane	5.00	1.94	.4997/.5000	1.125/1.128	3/4	2	F - Precision	35 / 60 / 80
RR-5020-xxUR-BPC	Urethane	5.00	1.94	.4997/.5000	1.125/1.128	3/4	2	G - Precision Sealed	35 / 60 / 80
RR-6020-xxUR-B	Urethane	6.00	1.94	.500/.505	1.252/1.256	3/4	1	C - Standard	35 / 60 / 80
RR-6020-xxUR-BP	Urethane	6.00	1.94	.4997/.5000	1.125/1.128	3/4	2	F - Precision	35 / 60 / 80
RR-6020-xxUR-BPC	Urethane	6.00	1.94	.4997/.5000	1.125/1.128	3/4	2	G - Precision Sealed	35 / 60 / 80

Application Example



Bearings can be mounted to the outside of the snap rings and with 2 spacers the roller can be held in a pocket.

BEARING MOUNT - DURASOFT® ROLLERS

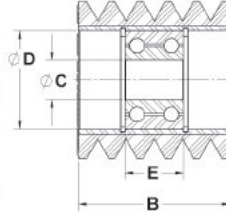
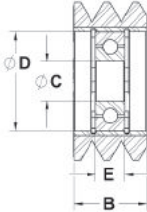


MA MODIFICATIONS AVAILABLE

DuraSoft rollers have a smooth surface and are permanently bonded to a steel insert with the bearings held into place with snap rings. They are available with standard bearings, precision bearings and sealed precision bearings based on your application and environment. The "teardrop" holes allow the roller to flex for firm yet non-damaging contact. Rollers are available in neoprene, nitrile and urethane materials with hardness ranging from 20 to 95 durometer. See page 46 for material and durometer specifications. Line drawings shown are not proportional for all parts. For specific application requirements, custom modifications are available for this product line. View and download part CAD models at www.fairlaneproducts.com. See pages 44 and 45 for bearing type specifications. To order part, add desired durometer (xx) to the part number. Sample DR-9502-35UR-B.

Part #	Material	A	B	C	D	(Ref) E	# of Bearings	Bearing Type	xx = Durometer
DR-9502-xxUR-B	Urethane	2.50	.92	.500/.505	1.252/1.256	3/8	1	B - Standard	35 / 60 / 80 / 95
DR-9502-xxUR-BP	Urethane	2.50	.92	.4997/.5000	1.125/1.128	3/8	1	F - Precision	35 / 60 / 80 / 95
DR-9502-xxUR-BPC	Urethane	2.50	.92	.4997/.5000	1.125/1.128	3/8	1	G - Precision Sealed	35 / 60 / 80 / 95
DR-502-xxUR-B	Urethane	2.50	1.94	.500/.505	1.252/1.256	3/4	1	C - Standard	35 / 60 / 80 / 95
DR-502-xxUR-BP	Urethane	2.50	1.94	.4997/.5000	1.125/1.128	3/4	2	F - Precision	35 / 60 / 80 / 95
DR-502-xxUR-BPC	Urethane	2.50	1.94	.4997/.5000	1.125/1.128	3/4	2	G - Precision Sealed	35 / 60 / 80 / 95
DR-9754-xx-B	Neoprene	4.00	.92	.500/.505	1.252/1.256	3/8	1	B - Standard	20 / 35
DR-9754-xxW-B	Nitrile	4.00	.92	.500/.505	1.252/1.256	3/8	1	B - Standard	20 / 35
DR-9754-xxUR-B	Urethane	4.00	.92	.500/.505	1.252/1.256	3/8	1	B - Standard	35 / 60 / 80 / 95
DR-9754-xx-BP	Neoprene	4.00	.92	.4997/.5000	1.125/1.128	3/8	1	F - Precision	20 / 35
DR-9754-xxW-BP	Nitrile	4.00	.92	.4997/.5000	1.125/1.128	3/8	1	F - Precision	20 / 35
DR-9754-xxUR-BP	Urethane	4.00	.92	.4997/.5000	1.125/1.128	3/8	1	F - Precision	35 / 60 / 80 / 95
DR-9754-xx-BPC	Neoprene	4.00	.92	.4997/.5000	1.125/1.128	3/8	1	G - Precision Sealed	20 / 35
DR-9754-xxW-BPC	Nitrile	4.00	.92	.4997/.5000	1.125/1.128	3/8	1	G - Precision Sealed	20 / 35
DR-9754-xxUR-BPC	Urethane	4.00	.92	.4997/.5000	1.125/1.128	3/8	1	G - Precision Sealed	35 / 60 / 80 / 95
DR-754-xx-B	Neoprene	4.00	1.94	.500/.505	1.252/1.256	3/4	1	C - Standard	20 / 35
DR-754-xxW-B	Nitrile	4.00	1.94	.500/.505	1.252/1.256	3/4	1	C - Standard	20 / 35
DR-754-xxUR-B	Urethane	4.00	1.94	.500/.505	1.252/1.256	3/4	1	C - Standard	35 / 60 / 80 / 95
DR-754-xx-BP	Neoprene	4.00	1.94	.4997/.5000	1.125/1.128	3/4	2	F - Precision	20 / 35
DR-754-xxW-BP	Nitrile	4.00	1.94	.4997/.5000	1.125/1.128	3/4	2	F - Precision	20 / 35
DR-754-xxUR-BP	Urethane	4.00	1.94	.4997/.5000	1.125/1.128	3/4	2	F - Precision	35 / 60 / 80 / 95
DR-754-xx-BPC	Neoprene	4.00	1.94	.4997/.5000	1.125/1.128	3/4	2	G - Precision Sealed	20 / 35
DR-754-xxW-BPC	Nitrile	4.00	1.94	.4997/.5000	1.125/1.128	3/4	2	G - Precision Sealed	20 / 35
DR-754-xxUR-BPC	Urethane	4.00	1.94	.4997/.5000	1.125/1.128	3/4	2	G - Precision Sealed	35 / 60 / 80 / 95

BEARING MOUNT - FINNED ROLLERS

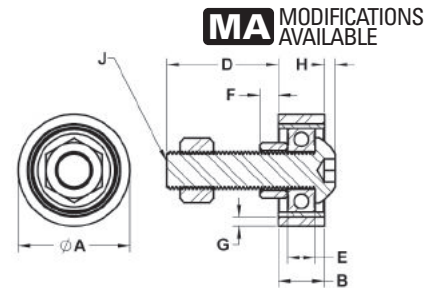
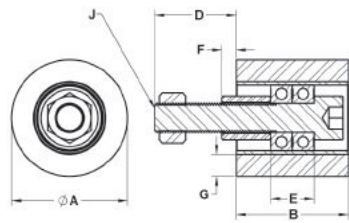


MA MODIFICATIONS AVAILABLE

Finned rollers have grooves on the surface and are permanently bonded to a steel insert with the bearings held into place with snap rings. They are available with standard bearings, precision bearings and sealed precision bearings based on your application and environment. The grooves create less surface contact on the work piece and allow dirt, debris and liquids to pass. Rollers are available in neoprene, nitrile and urethane materials with hardness ranging from 20 to 60 durometer. See page 46 for material and durometer specifications. Line drawings shown are not proportional for all parts. For specific application requirements, custom modifications are available for this product line. View and download part CAD models at www.fairlaneproducts.com. See pages 44 and 45 for bearing type specifications. To order part, add desired durometer (xx) to the part number. Sample RR-9250-2-20-B.

Part #	Material	A	B	C	D	(Ref) E	# of Bearings	Bearing Type	# of Fins	xx = Durometer
RR-9250-2-xx-B	Neoprene	2.00	.92	.500/.505	1.252/1.256	3/8	1	B - Standard	3	20 / 35 / 60
RR-9250-2-xxW-B	Nitrile	2.00	.92	.500/.505	1.252/1.256	3/8	1	B - Standard	3	20 / 35 / 60
RR-9250-2-xxUR-B	Urethane	2.00	.92	.500/.505	1.252/1.256	3/8	1	B - Standard	3	35 / 60
RR-9250-2-xx-BP	Neoprene	2.00	.92	.4997/.5000	1.125/1.128	3/8	1	F - Precision	3	20 / 35 / 60
RR-9250-2-xxW-BP	Nitrile	2.00	.92	.4997/.5000	1.125/1.128	3/8	1	F - Precision	3	20 / 35 / 60
RR-9250-2-xxUR-BP	Urethane	2.00	.92	.4997/.5000	1.125/1.128	3/8	1	F - Precision	3	35 / 60
RR-9250-2-xx-BPC	Neoprene	2.00	.92	.4997/.5000	1.125/1.128	3/8	1	G - Precision Sealed	3	20 / 35 / 60
RR-9250-2-xxW-BPC	Nitrile	2.00	.92	.4997/.5000	1.125/1.128	3/8	1	G - Precision Sealed	3	20 / 35 / 60
RR-9250-2-xxUR-BPC	Urethane	2.00	.92	.4997/.5000	1.125/1.128	3/8	1	G - Precision Sealed	3	35 / 60
RR-250-2-xx-B	Neoprene	2.00	1.94	.500/.505	1.252/1.256	3/4	1	C - Standard	6	20 / 35 / 60
RR-250-2-xxW-B	Nitrile	2.00	1.94	.500/.505	1.252/1.256	3/4	1	C - Standard	6	20 / 35 / 60
RR-250-2-xxUR-B	Urethane	2.00	1.94	.500/.505	1.252/1.256	3/4	1	C - Standard	6	35 / 60
RR-250-2-xx-BP	Neoprene	2.00	1.94	.4997/.5000	1.125/1.128	3/4	2	F - Precision	6	20 / 35 / 60
RR-250-2-xxW-BP	Nitrile	2.00	1.94	.4997/.5000	1.125/1.128	3/4	2	F - Precision	6	20 / 35 / 60
RR-250-2-xxUR-BP	Urethane	2.00	1.94	.4997/.5000	1.125/1.128	3/4	2	F - Precision	6	35 / 60
RR-250-2-xx-BPC	Neoprene	2.00	1.94	.4997/.5000	1.125/1.128	3/4	2	G - Precision Sealed	6	20 / 35 / 60
RR-250-2-xxW-BPC	Nitrile	2.00	1.94	.4997/.5000	1.125/1.128	3/4	2	G - Precision Sealed	6	20 / 35 / 60
RR-250-2-xxUR-BPC	Urethane	2.00	1.94	.4997/.5000	1.125/1.128	3/4	2	G - Precision Sealed	6	35 / 60
RR-9250-xx-B	Neoprene	2.50	.92	.500/.505	1.252/1.256	3/8	1	B - Standard	3	20 / 35 / 60
RR-9250-xxW-B	Nitrile	2.50	.92	.500/.505	1.252/1.256	3/8	1	B - Standard	3	20 / 35 / 60
RR-9250-xxUR-B	Urethane	2.50	.92	.500/.505	1.252/1.256	3/8	1	B - Standard	3	35 / 60
RR-9250-xx-BP	Neoprene	2.50	.92	.4997/.5000	1.125/1.128	3/8	1	F - Precision	3	20 / 35 / 60
RR-9250-xxW-BP	Nitrile	2.50	.92	.4997/.5000	1.125/1.128	3/8	1	F - Precision	3	20 / 35 / 60
RR-9250-xxUR-BP	Urethane	2.50	.92	.4997/.5000	1.125/1.128	3/8	1	F - Precision	3	35 / 60
RR-9250-xx-BPC	Neoprene	2.50	.92	.4997/.5000	1.125/1.128	3/8	1	G - Precision Sealed	3	20 / 35 / 60
RR-9250-xxW-BPC	Nitrile	2.50	.92	.4997/.5000	1.125/1.128	3/8	1	G - Precision Sealed	3	20 / 35 / 60
RR-9250-xxUR-BPC	Urethane	2.50	.92	.4997/.5000	1.125/1.128	3/8	1	G - Precision Sealed	3	35 / 60
RR-250-xx-B	Neoprene	2.50	1.94	.500/.505	1.252/1.256	3/4	1	C - Standard	6	20 / 35 / 60
RR-250-xxW-B	Nitrile	2.50	1.94	.500/.505	1.252/1.256	3/4	1	C - Standard	6	20 / 35 / 60
RR-250-xxUR-B	Urethane	2.50	1.94	.500/.505	1.252/1.256	3/4	1	C - Standard	6	35 / 60
RR-250-xx-BP	Neoprene	2.50	1.94	.4997/.5000	1.125/1.128	3/4	2	F - Precision	6	20 / 35 / 60
RR-250-xxW-BP	Nitrile	2.50	1.94	.4997/.5000	1.125/1.128	3/4	2	F - Precision	6	20 / 35 / 60
RR-250-xxUR-BP	Urethane	2.50	1.94	.4997/.5000	1.125/1.128	3/4	2	F - Precision	6	35 / 60
RR-250-xx-BPC	Neoprene	2.50	1.94	.4997/.5000	1.125/1.128	3/4	2	G - Precision Sealed	6	20 / 35 / 60
RR-250-xxW-BPC	Nitrile	2.50	1.94	.4997/.5000	1.125/1.128	3/4	2	G - Precision Sealed	6	20 / 35 / 60
RR-250-xxUR-BPC	Urethane	2.50	1.94	.4997/.5000	1.125/1.128	3/4	2	G - Precision Sealed	6	35 / 60
RR-667-xx-B	Neoprene	4.00	1.94	.500/.505	1.252/1.256	3/4	1	C - Standard	8	35 / 60
RR-667-xxW-B	Nitrile	4.00	1.94	.500/.505	1.252/1.256	3/4	1	C - Standard	8	35 / 60
RR-667-xxUR-B	Urethane	4.00	1.94	.500/.505	1.252/1.256	3/4	1	C - Standard	8	35 / 60
RR-667-xx-BP	Neoprene	4.00	1.94	.4997/.5000	1.125/1.128	3/4	2	F - Precision	8	35 / 60
RR-667-xxW-BP	Nitrile	4.00	1.94	.4997/.5000	1.125/1.128	3/4	2	F - Precision	8	35 / 60
RR-667-xxUR-BP	Urethane	4.00	1.94	.4997/.5000	1.125/1.128	3/4	2	F - Precision	8	35 / 60
RR-667-xx-BPC	Neoprene	4.00	1.94	.4997/.5000	1.125/1.128	3/4	2	G - Precision Sealed	8	35 / 60
RR-667-xxW-BPC	Nitrile	4.00	1.94	.4997/.5000	1.125/1.128	3/4	2	G - Precision Sealed	8	35 / 60
RR-667-xxUR-BPC	Urethane	4.00	1.94	.4997/.5000	1.125/1.128	3/4	2	G - Precision Sealed	8	35 / 60

STUD MOUNT WITH BEARING - PRESS-FIT STYLE ROLLERS



Stud mount rollers have a smooth urethane surface and are permanently bonded to a steel insert with a precision sealed bearing press fit and bonded into place. They come assembled with a socket head cap screw, spacer and locknut for fast easy mounting. They are made from urethane with hardness ranging from 35 to 95 durometer. See page 46 for material and durometer specifications. Line drawings shown are not proportional for all parts. See page 33 for replacement spacers, bolts and nuts. For specific application requirements, custom modifications are available for this product line. View and download part CAD models at www.fairlaneproducts.com. To order Soft Durometer style rollers, add desired durometer (xx) to the part number. Sample PR-142832-35UR-05C.

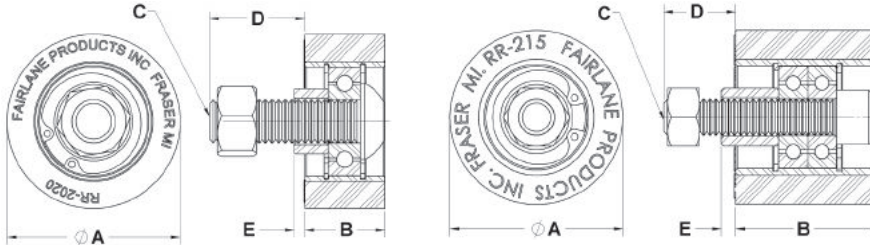
Soft Durometer

Part#	A	B	D	(Ref) E	F	(Ref) G	J	# of Bearings	Bearing Number	xx = Durometer	Spacer Part #	Bolt Part #
PR-142832-xxUR-05C	1.75	1.94	1.19	11/16	.25	.37	5/16-18 SHCS	2	1603-2RS	35 / 60	RSP-05-875	RCSS-51618-2500
PR-142832-xxUR-06C	1.75	1.94	1.44	11/16	.25	.37	3/8-16 SHCS	2	1604-2RS	35 / 60	RSP-06-875	RCSS-3816-2750
PR-183232-xxUR-08C	2.00	1.94	1.41	3/4	.25	.37	1/2-13 SHCS	2	1616-2RS	35 / 60	RSP-500	RCSS-1213-2750
PR-183232-xxUR-06C	2.00	1.94	1.41	3/4	.25	.37	3/8-16 SHCS	2	1614-2RS	35 / 60	RSP-06-845	RCSS-3816-2750
PR-183632-xxUR-08C	2.25	1.94	1.41	3/4	.25	.50	1/2-13 SHCS	2	1616-2RS	35 / 60	RSP-500	RCSS-1213-2750
PR-183632-xxUR-06C	2.25	1.94	1.41	3/4	.25	.50	3/8-16 SHCS	2	1614-2RS	35 / 60	RSP-06-845	RCSS-3816-2750
PR-224032-xxUR-10C	2.50	1.94	1.59	7/8	.25	.50	5/8-11 BHCS	2	1623-2RS	35 / 60	RSP-10-782	RCSB-5811-3000
PR-224032-xxUR-08C	2.50	1.94	1.34	7/8	.25	.50	1/2-13 SHCS	2	1621-2RS	35 / 60	RSP-08-782	RCSS-1213-2750
PR-184832-xxUR-08C	3.00	1.94	1.41	3/4	.25	.87	1/2-13 SHCS	2	1616-2RS	35 / 60	RSP-500	RCSS-1213-2750
PR-184832-xxUR-06C	3.00	1.94	1.41	3/4	.25	.87	3/8-16 SHCS	2	1614-2RS	35 / 60	RSP-06-845	RCSS-3816-2750
PR-284832-xxUR-10C	3.00	1.94	1.53	1	.25	.56	5/8-11 BHCS	2	1633-2RS	35 / 60	RSP-10-720	RCSB-5811-3000

Hard Durometer

Part #	A	B	D	(Ref) E	F	(Ref) G	H	J	# of Bearings	Bearing Number	Durometer	Spacer Part #	Bolt Part #
PR-081206-95UR-04C	.75	.38	.97	3/16	.125	.06	.036	1/4-20 BHCS	1	R188-2RS	95	RSP-04-234	RCSB-1420-1250
PR-101407-95UR-04C	.88	.44	.93	.196	.125	.06	.010	1/4-20 BHCS	1	R4-2RS	95	RSP-04-234	RCSB-1420-1250
PR-111607-95UR-04C	1.00	.44	.88	5/16	.125	.09	.068	1/4-20 BHCS	1	1602-2RS	95	RSP-04-189	RCSB-1420-1250
PR-121808-95UR-04C	1.12	.50	.86	9/32	.125	.12	.023	1/4-20 BHCS	1	R4A-2RS	95	RSP-04-234	RCSB-1420-1250
PR-142008-95UR-05C	1.25	.50	1.08	11/32	.125	.12	.088	5/16-18 BHCS	1	1603-2RS	95	RSP-05-203	RCSB-51618-1500
PR-142008-95UR-06C	1.25	.50	1.08	11/32	.125	.12	.121	3/8-16 BHCS	1	1604-2RS	95	RSP-06-203	RCSB-3816-1500
PR-182410-95UR-08C	1.50	.62	1.50	3/8	.250	.12	.144	1/2-13 BHCS	1	1616-2RS	95	RSP-08-372	RCSB-1213-2000
PR-182410-95UR-06C	1.50	.62	1.00	3/8	.125	.12	.077	3/8-16 BHCS	1	1614-2RS	95	RSP-06-247	RCSB-3816-1500
PR-222812-95UR-10C	1.75	.75	1.66	7/16	.250	.12	.175	5/8-11 BHCS	1	1623-2RS	95	RSP-10-406	RCSB-5811-2250
PR-222812-95UR-08C	1.75	.75	1.41	7/16	.250	.12	.110	1/2-13 BHCS	1	1621-2RS	95	RSP-08-406	RCSB-1213-2000
PR-263214-95UR-10C	2.00	.88	1.56	1/2	.250	.12	.180	5/8-11 BHCS	1	1628-2RS	95	RSP-10-406	RCSB-5811-2250
PR-283416-95UR-10C	2.12	1.00	1.50	1/2	.250	.12	.081	5/8-11 BHCS	1	1633-2RS	95	RSP-10-500	RCSB-5811-2250

STUD MOUNT WITH BEARING - SOLID ROLLERS

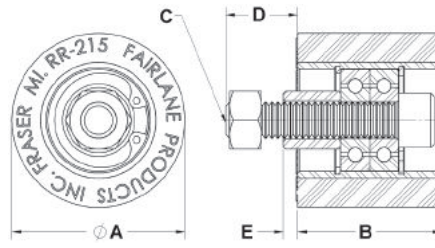
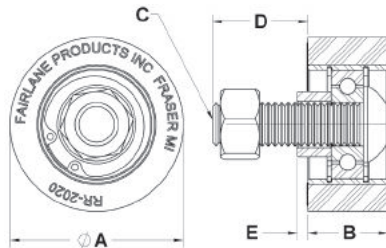


MA MODIFICATIONS AVAILABLE

Solid rollers have a smooth surface and are permanently bonded to a steel insert with the bearings held in place with snap rings. They come assembled with a socket head cap screw, spacer and locknut for fast easy mounting. They are available with standard bearings, precision bearings and sealed precision bearings based on your application and environment. Rollers are available in neoprene, nitrile and urethane materials with hardness ranging from 20 to 95 durometer. See page 46 for material and durometer specifications. Line drawings shown are not proportional for all parts. For specific application requirements, custom modifications are available for this product line. View and download part CAD models at www.fairlaneproducts.com. See pages 44 and 45 for bearing type specifications. To order part, add desired durometer (xx) to the part number. Sample RR-215-20-C.

Part #	Material	A	B	C	D	E	# of Bearings	Bearing Type	xx = Durometer
RR-215-xx-C	Neoprene	1.50	1.25	5/16-18x1.50 SHCS	.63	.12	1	A - Standard	20 / 35 / 60 / 80
RR-215-xxW-C	Nitrile	1.50	1.25	5/16-18x1.50 SHCS	.63	.12	1	A - Standard	20 / 35 / 60 / 80
RR-215-xxUR-C	Urethane	1.50	1.25	5/16-18x1.50 SHCS	.63	.12	1	A - Standard	35 / 60 / 80 / 95
RR-215-xx-CP	Neoprene	1.50	1.25	5/16-18x1.50 SHCS	.63	.12	2	D - Precision	20 / 35 / 60 / 80
RR-215-xxW-CP	Nitrile	1.50	1.25	5/16-18x1.50 SHCS	.63	.12	2	D - Precision	20 / 35 / 60 / 80
RR-215-xxUR-CP	Urethane	1.50	1.25	5/16-18x1.50 SHCS	.63	.12	2	D - Precision	35 / 60 / 80 / 95
RR-215-xx-CPC	Neoprene	1.50	1.25	5/16-18x1.50 SHCS	.63	.12	2	E - Precision Sealed	20 / 35 / 60 / 80
RR-215-xxW-CPC	Nitrile	1.50	1.25	5/16-18x1.50 SHCS	.63	.12	2	E - Precision Sealed	20 / 35 / 60 / 80
RR-215-xxUR-CPC	Urethane	1.50	1.25	5/16-18x1.50 SHCS	.63	.12	2	E - Precision Sealed	35 / 60 / 80 / 95
RR-92020-xx-C	Neoprene	2.00	.92	1/2-13x1.75 BHCS	1.10	.12	1	B - Standard	20 / 35 / 60 / 80
RR-92020-xxW-C	Nitrile	2.00	.92	1/2-13x1.75 BHCS	1.10	.12	1	B - Standard	20 / 35 / 60 / 80
RR-92020-xxUR-C	Urethane	2.00	.92	1/2-13x1.75 BHCS	1.10	.12	1	B - Standard	35 / 60 / 80 / 95
RR-92020-xx-CP	Neoprene	2.00	.92	1/2-13x1.75 LHCS	1.10	.12	1	F - Precision	20 / 35 / 60 / 80
RR-92020-xxW-CP	Nitrile	2.00	.92	1/2-13x1.75 LHCS	1.10	.12	1	F - Precision	20 / 35 / 60 / 80
RR-92020-xxUR-CP	Urethane	2.00	.92	1/2-13x1.75 LHCS	1.10	.12	1	F - Precision	35 / 60 / 80 / 95
RR-92020-xx-CPC	Neoprene	2.00	.92	1/2-13x1.75 LHCS	1.10	.12	1	G - Precision Sealed	20 / 35 / 60 / 80
RR-92020-xxW-CPC	Nitrile	2.00	.92	1/2-13x1.75 LHCS	1.10	.12	1	G - Precision Sealed	20 / 35 / 60 / 80
RR-92020-xxUR-CPC	Urethane	2.00	.92	1/2-13x1.75 LHCS	1.10	.12	1	G - Precision Sealed	35 / 60 / 80 / 95
RR-2020-xx-C	Neoprene	2.00	1.94	1/2-13x2.75 SHCS	1.41	.25	1	C - Standard	20 / 35 / 60 / 80
RR-2020-xxW-C	Nitrile	2.00	1.94	1/2-13x2.75 SHCS	1.41	.25	1	C - Standard	20 / 35 / 60 / 80
RR-2020-xxUR-C	Urethane	2.00	1.94	1/2-13x2.75 SHCS	1.41	.25	1	C - Standard	35 / 60 / 80 / 95
RR-2020-xx-CP	Neoprene	2.00	1.94	1/2-13x2.75 SHCS	1.41	.25	2	F - Precision	20 / 35 / 60 / 80
RR-2020-xxW-CP	Nitrile	2.00	1.94	1/2-13x2.75 SHCS	1.41	.25	2	F - Precision	20 / 35 / 60 / 80
RR-2020-xxUR-CP	Urethane	2.00	1.94	1/2-13x2.75 SHCS	1.41	.25	2	F - Precision	35 / 60 / 80 / 95
RR-2020-xx-CPC	Neoprene	2.00	1.94	1/2-13x2.75 SHCS	1.41	.25	2	G - Precision Sealed	20 / 35 / 60 / 80
RR-2020-xxW-CPC	Nitrile	2.00	1.94	1/2-13x2.75 SHCS	1.41	.25	2	G - Precision Sealed	20 / 35 / 60 / 80
RR-2020-xxUR-CPC	Urethane	2.00	1.94	1/2-13x2.75 SHCS	1.41	.25	2	G - Precision Sealed	35 / 60 / 80 / 95
RR-9502-xx-C	Neoprene	2.50	.92	1/2-13x1.75 BHCS	1.10	.12	1	B - Standard	20 / 35 / 60 / 80
RR-9502-xxW-C	Nitrile	2.50	.92	1/2-13x1.75 BHCS	1.10	.12	1	B - Standard	20 / 35 / 60 / 80
RR-9502-xxUR-C	Urethane	2.50	.92	1/2-13x1.75 BHCS	1.10	.12	1	B - Standard	35 / 60 / 80 / 95
RR-9502-xx-CP	Neoprene	2.50	.92	1/2-13x1.75 LHCS	1.10	.12	1	F - Precision	20 / 35 / 60 / 80
RR-9502-xxW-CP	Nitrile	2.50	.92	1/2-13x1.75 LHCS	1.10	.12	1	F - Precision	20 / 35 / 60 / 80
RR-9502-xxUR-CP	Urethane	2.50	.92	1/2-13x1.75 LHCS	1.10	.12	1	F - Precision	35 / 60 / 80 / 95
RR-9502-xx-CPC	Neoprene	2.50	.92	1/2-13x1.75 LHCS	1.10	.12	1	G - Precision Sealed	20 / 35 / 60 / 80
RR-9502-xxW-CPC	Nitrile	2.50	.92	1/2-13x1.75 LHCS	1.10	.12	1	G - Precision Sealed	20 / 35 / 60 / 80
RR-9502-xxUR-CPC	Urethane	2.50	.92	1/2-13x1.75 LHCS	1.10	.12	1	G - Precision Sealed	35 / 60 / 80 / 95
RR-502-xx-C	Neoprene	2.50	1.94	1/2-13x2.75 SHCS	1.41	.25	1	C - Standard	20 / 35 / 60 / 80
RR-502-xxW-C	Nitrile	2.50	1.94	1/2-13x2.75 SHCS	1.41	.25	1	C - Standard	20 / 35 / 60 / 80
RR-502-xxUR-C	Urethane	2.50	1.94	1/2-13x2.75 SHCS	1.41	.25	1	C - Standard	35 / 60 / 80 / 95
RR-502-xx-CP	Neoprene	2.50	1.94	1/2-13x2.75 SHCS	1.41	.25	2	F - Precision	20 / 35 / 60 / 80
RR-502-xxW-CP	Nitrile	2.50	1.94	1/2-13x2.75 SHCS	1.41	.25	2	F - Precision	20 / 35 / 60 / 80
RR-502-xxUR-CP	Urethane	2.50	1.94	1/2-13x2.75 SHCS	1.41	.25	2	F - Precision	35 / 60 / 80 / 95
RR-502-xx-CPC	Neoprene	2.50	1.94	1/2-13x2.75 SHCS	1.41	.25	2	G - Precision Sealed	20 / 35 / 60 / 80
RR-502-xxW-CPC	Nitrile	2.50	1.94	1/2-13x2.75 SHCS	1.41	.25	2	G - Precision Sealed	20 / 35 / 60 / 80
RR-502-xxUR-CPC	Urethane	2.50	1.94	1/2-13x2.75 SHCS	1.41	.25	2	G - Precision Sealed	35 / 60 / 80 / 95

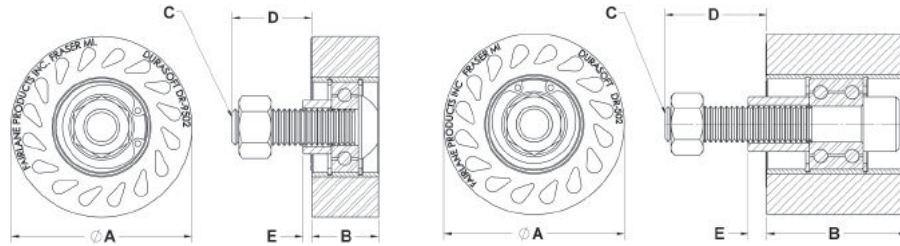
STUD MOUNT WITH BEARING - SOLID ROLLERS (cont)



MA MODIFICATIONS AVAILABLE

Part #	Material	A	B	C	D	E	# of Bearings	Bearing Type	xx = Durometer
RR-9754-xx-C	Neoprene	4.00	.92	1/2-13x1.75 BHCS	1.10	.12	1	B - Standard	20 / 35 / 60 / 80
RR-9754-xxW-C	Nitrile	4.00	.92	1/2-13x1.75 BHCS	1.10	.12	1	B - Standard	20 / 35 / 60 / 80
RR-9754-xxUR-C	Urethane	4.00	.92	1/2-13x1.75 BHCS	1.10	.12	1	B - Standard	35 / 60 / 80 / 95
RR-9754-xx-CP	Neoprene	4.00	.92	1/2-13x1.75 LHCS	1.10	.12	1	F - Precision	20 / 35 / 60 / 80
RR-9754-xxW-CP	Nitrile	4.00	.92	1/2-13x1.75 LHCS	1.10	.12	1	F - Precision	20 / 35 / 60 / 80
RR-9754-xxUR-CP	Urethane	4.00	.92	1/2-13x1.75 LHCS	1.10	.12	1	F - Precision	35 / 60 / 80 / 95
RR-9754-xx-CPC	Neoprene	4.00	.92	1/2-13x1.75 LHCS	1.10	.12	1	G - Precision Sealed	20 / 35 / 60 / 80
RR-9754-xxW-CPC	Nitrile	4.00	.92	1/2-13x1.75 LHCS	1.10	.12	1	G - Precision Sealed	20 / 35 / 60 / 80
RR-9754-xxUR-CPC	Urethane	4.00	.92	1/2-13x1.75 LHCS	1.10	.12	1	G - Precision Sealed	35 / 60 / 80 / 95
RR-754-xx-C	Neoprene	4.00	1.94	1/2-13x2.75 SHCS	1.41	.25	1	C - Standard	20 / 35 / 60 / 80
RR-754-xxW-C	Nitrile	4.00	1.94	1/2-13x2.75 SHCS	1.41	.25	1	C - Standard	20 / 35 / 60 / 80
RR-754-xxUR-C	Urethane	4.00	1.94	1/2-13x2.75 SHCS	1.41	.25	1	C - Standard	35 / 60 / 80 / 95
RR-754-xx-CP	Neoprene	4.00	1.94	1/2-13x2.75 SHCS	1.41	.25	2	F - Precision	20 / 35 / 60 / 80
RR-754-xxW-CP	Nitrile	4.00	1.94	1/2-13x2.75 SHCS	1.41	.25	2	F - Precision	20 / 35 / 60 / 80
RR-754-xxUR-CP	Urethane	4.00	1.94	1/2-13x2.75 SHCS	1.41	.25	2	F - Precision	35 / 60 / 80 / 95
RR-754-xx-CPC	Neoprene	4.00	1.94	1/2-13x2.75 SHCS	1.41	.25	2	G - Precision Sealed	20 / 35 / 60 / 80
RR-754-xxW-CPC	Nitrile	4.00	1.94	1/2-13x2.75 SHCS	1.41	.25	2	G - Precision Sealed	20 / 35 / 60 / 80
RR-754-xxUR-CPC	Urethane	4.00	1.94	1/2-13x2.75 SHCS	1.41	.25	2	G - Precision Sealed	35 / 60 / 80 / 95
RR-5020-xxUR-C	Urethane	5.00	1.94	1/2-13x2.75 SHCS	1.41	.25	1	C - Standard	35 / 60 / 80
RR-5020-xxUR-CP	Urethane	5.00	1.94	1/2-13x2.75 SHCS	1.41	.25	2	F - Precision	35 / 60 / 80
RR-5020-xxUR-CPC	Urethane	5.00	1.94	1/2-13x2.75 SHCS	1.41	.25	2	G - Precision Sealed	35 / 60 / 80
RR-6020-xxUR-C	Urethane	6.00	1.94	1/2-13x2.75 SHCS	1.41	.25	1	C - Standard	35 / 60 / 80
RR-6020-xxUR-CP	Urethane	6.00	1.94	1/2-13x2.75 SHCS	1.41	.25	2	F - Precision	35 / 60 / 80
RR-6020-xxUR-CPC	Urethane	6.00	1.94	1/2-13x2.75 SHCS	1.41	.25	2	G - Precision Sealed	35 / 60 / 80

STUD MOUNT WITH BEARING - DURASOFT® ROLLERS

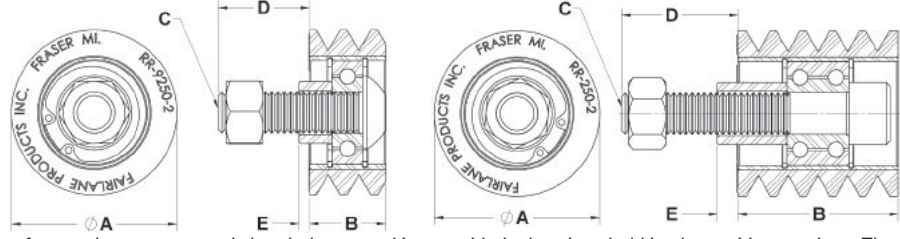


MA MODIFICATIONS AVAILABLE

DuraSoft rollers have a smooth surface and are permanently bonded to a steel insert with the bearings held in place with snap rings. They come assembled with a socket head cap screw, spacer and locknut for fast easy mounting. They are available with standard bearings, precision bearings and sealed precision bearings based on your application and environment. The "teardrop" holes allow the roller to flex for firm yet non-damaging contact. Rollers are available in neoprene, nitrile and urethane materials with hardness ranging from 20 to 95 durometer. See page 46 for material and durometer specifications. Line drawings shown are not proportional for all parts. For specific application requirements, custom modifications are available for this product line. View and download part CAD models at www.fairlaneproducts.com. See pages 44 and 45 for bearing type specifications. To order part, add desired durometer (xx) to the part number. Sample DR-9502-35UR-C.

Part #	Material	A	B	C	D	E	# Of Bearings	Bearing Type	xx = Durometer
DR-9502-xxUR-C	Urethane	2.50	.92	1/2-13x1.75 BHCS	1.10	.12	1	B - Standard	35 / 60 / 80 / 95
DR-9502-xxUR-CP	Urethane	2.50	.92	1/2-13x1.75 LHCS	1.10	.12	1	F - Precision	35 / 60 / 80 / 95
DR-9502-xxUR-CPC	Urethane	2.50	.92	1/2-13x1.75 LHCS	1.10	.12	1	G - Precision Sealed	35 / 60 / 80 / 95
DR-502-xxUR-C	Urethane	2.50	1.94	1/2-13x2.75 SHCS	1.41	.25	1	C - Standard	35 / 60 / 80 / 95
DR-502-xxUR-CP	Urethane	2.50	1.94	1/2-13x2.75 SHCS	1.41	.25	2	F - Precision	35 / 60 / 80 / 95
DR-502-xxUR-CPC	Urethane	2.50	1.94	1/2-13x2.75 SHCS	1.41	.25	2	G - Precision Sealed	35 / 60 / 80 / 95
DR-9754-xx-C	Neoprene	4.00	.92	1/2-13x1.75 BHCS	1.10	.12	1	B - Standard	20 / 35
DR-9754-xxW-C	Nitrile	4.00	.92	1/2-13x1.75 BHCS	1.10	.12	1	B - Standard	20 / 35
DR-9754-xxUR-C	Urethane	4.00	.92	1/2-13x1.75 BHCS	1.10	.12	1	B - Standard	35 / 60 / 80 / 95
DR-9754-xx-CP	Neoprene	4.00	.92	1/2-13x1.75 LHCS	1.10	.12	1	F - Precision	20 / 35
DR-9754-xxW-CP	Nitrile	4.00	.92	1/2-13x1.75 LHCS	1.10	.12	1	F - Precision	20 / 35
DR-9754-xxUR-CP	Urethane	4.00	.92	1/2-13x1.75 LHCS	1.10	.12	1	F - Precision	35 / 60 / 80 / 95
DR-9754-xx-CPC	Neoprene	4.00	.92	1/2-13x1.75 LHCS	1.10	.12	1	G - Precision Sealed	20 / 35
DR-9754-xxW-CPC	Nitrile	4.00	.92	1/2-13x1.75 LHCS	1.10	.12	1	G - Precision Sealed	20 / 35
DR-9754-xxUR-CPC	Urethane	4.00	.92	1/2-13x1.75 LHCS	1.10	.12	1	G - Precision Sealed	35 / 60 / 80 / 95
DR-754-xx-C	Neoprene	4.00	1.94	1/2-13x2.75 SHCS	1.41	.25	1	C - Standard	20 / 35
DR-754-xxW-C	Nitrile	4.00	1.94	1/2-13x2.75 SHCS	1.41	.25	1	C - Standard	20 / 35
DR-754-xxUR-C	Urethane	4.00	1.94	1/2-13x2.75 SHCS	1.41	.25	1	C - Standard	35 / 60 / 80 / 95
DR-754-xx-CP	Neoprene	4.00	1.94	1/2-13x2.75 SHCS	1.41	.25	2	F - Precision	20 / 35
DR-754-xxW-CP	Nitrile	4.00	1.94	1/2-13x2.75 SHCS	1.41	.25	2	F - Precision	20 / 35
DR-754-xxUR-CP	Urethane	4.00	1.94	1/2-13x2.75 SHCS	1.41	.25	2	F - Precision	35 / 60 / 80 / 95
DR-754-xxx-CPC	Neoprene	4.00	1.94	1/2-13x2.75 SHCS	1.41	.25	2	G - Precision Sealed	20 / 35
DR-754-xxW-CPC	Nitrile	4.00	1.94	1/2-13x2.75 SHCS	1.41	.25	2	G - Precision Sealed	20 / 35
DR-754-xxUR-CPC	Urethane	4.00	1.94	1/2-13x2.75 SHCS	1.41	.25	2	G - Precision Sealed	35 / 60 / 80 / 95

STUD MOUNT WITH BEARING - FINNED ROLLERS



MA MODIFICATIONS AVAILABLE

Finned rollers have grooves on the surface and are permanently bonded to a steel insert with the bearings held in place with snap rings. They come assembled with a socket head cap screw, spacer and locknut for fast easy mounting. They are available with standard bearings, precision bearings and sealed precision bearings based on your application and environment. The grooves create less surface contact on the work piece and allow dirt, debris and liquids to pass. Rollers are available in neoprene, nitrile and urethane materials with hardness ranging from 20 to 60 durometer. See page 46 for material and durometer specifications. Line drawings shown are not proportional for all parts. For specific application requirements, custom modifications are available for this product line. View and download part CAD models at www.fairlaneproducts.com. See pages 44 and 45 for bearing type specifications. To order part, add desired durometer (xx) to the part number. Sample RR-9250-2-20-C.

Part #	Material	A	B	C	D	E	# Of Bearings	Bearing Type	# of Fins	xx = Durometer
RR-9250-2-xx-C	Neoprene	2.00	.92	1/2-13x1.75 BHCS	1.10	.12	1	B - Standard	3	20 / 35 / 60
RR-9250-2-xxW-C	Nitrile	2.00	.92	1/2-13x1.75 BHCS	1.10	.12	1	B - Standard	3	20 / 35 / 60
RR-9250-2-xxUR-C	Urethane	2.00	.92	1/2-13x1.75 BHCS	1.10	.12	1	B - Standard	3	35 / 60
RR-9250-2-xx-CP	Neoprene	2.00	.92	1/2-13x1.75 LHCS	1.10	.12	1	F - Precision	3	20 / 35 / 60
RR-9250-2-xxW-CP	Nitrile	2.00	.92	1/2-13x1.75 LHCS	1.10	.12	1	F - Precision	3	20 / 35 / 60
RR-9250-2-xxUR-CP	Urethane	2.00	.92	1/2-13x1.75 LHCS	1.10	.12	1	F - Precision	3	35 / 60
RR-9250-2-xx-CPC	Neoprene	2.00	.92	1/2-13x1.75 LHCS	1.10	.12	1	G - Precision Sealed	3	20 / 35 / 60
RR-9250-2-xxW-CPC	Nitrile	2.00	.92	1/2-13x1.75 LHCS	1.10	.12	1	G - Precision Sealed	3	20 / 35 / 60
RR-9250-2-xxUR-CPC	Urethane	2.00	.92	1/2-13x1.75 LHCS	1.10	.12	1	G - Precision Sealed	3	35 / 60
RR-250-2-xx-C	Neoprene	2.00	1.94	1/2-13x2.75 SHCS	1.41	.25	1	C - Standard	6	20 / 35 / 60
RR-250-2-xxW-C	Nitrile	2.00	1.94	1/2-13x2.75 SHCS	1.41	.25	1	C - Standard	6	20 / 35 / 60
RR-250-2-xxUR-C	Urethane	2.00	1.94	1/2-13x2.75 SHCS	1.41	.25	1	C - Standard	6	35 / 60
RR-250-2-xx-CP	Neoprene	2.00	1.94	1/2-13x2.75 SHCS	1.41	.25	2	F - Precision	6	20 / 35 / 60
RR-250-2-xxW-CP	Nitrile	2.00	1.94	1/2-13x2.75 SHCS	1.41	.25	2	F - Precision	6	20 / 35 / 60
RR-250-2-xxUR-CP	Urethane	2.00	1.94	1/2-13x2.75 SHCS	1.41	.25	2	F - Precision	6	35 / 60
RR-250-2-xx-CPC	Neoprene	2.00	1.94	1/2-13x2.75 SHCS	1.41	.25	2	G - Precision Sealed	6	20 / 35 / 60
RR-250-2-xxW-CPC	Nitrile	2.00	1.94	1/2-13x2.75 SHCS	1.41	.25	2	G - Precision Sealed	6	20 / 35 / 60
RR-250-2-xxUR-CPC	Urethane	2.00	1.94	1/2-13x2.75 SHCS	1.41	.25	2	G - Precision Sealed	6	35 / 60
RR-9250-xx-C	Neoprene	2.50	.92	1/2-13x1.75 BHCS	1.10	.12	1	B - Standard	3	20 / 35 / 60
RR-9250-xxW-C	Nitrile	2.50	.92	1/2-13x1.75 BHCS	1.10	.12	1	B - Standard	3	20 / 35 / 60
RR-9250-xxUR-C	Urethane	2.50	.92	1/2-13x1.75 BHCS	1.10	.12	1	B - Standard	3	35 / 60
RR-9250-xx-CP	Neoprene	2.50	.92	1/2-13x1.75 LHCS	1.10	.12	1	F - Precision	3	20 / 35 / 60
RR-9250-xxW-CP	Nitrile	2.50	.92	1/2-13x1.75 LHCS	1.10	.12	1	F - Precision	3	20 / 35 / 60
RR-9250-xxUR-CP	Urethane	2.50	.92	1/2-13x1.75 LHCS	1.10	.12	1	F - Precision	3	35 / 60
RR-9250-xx-CPC	Neoprene	2.50	.92	1/2-13x1.75 LHCS	1.10	.12	1	G - Precision Sealed	3	20 / 35 / 60
RR-9250-xxW-CPC	Nitrile	2.50	.92	1/2-13x1.75 LHCS	1.10	.12	1	G - Precision Sealed	3	20 / 35 / 60
RR-9250-xxUR-CPC	Urethane	2.50	.92	1/2-13x1.75 LHCS	1.10	.12	1	G - Precision Sealed	3	35 / 60
RR-250-xx-C	Neoprene	2.50	1.94	1/2-13x2.75 SHCS	1.41	.25	1	C - Standard	6	20 / 35 / 60
RR-250-xxW-C	Nitrile	2.50	1.94	1/2-13x2.75 SHCS	1.41	.25	1	C - Standard	6	20 / 35 / 60
RR-250-xxUR-C	Urethane	2.50	1.94	1/2-13x2.75 SHCS	1.41	.25	1	C - Standard	6	35 / 60
RR-250-xx-CP	Neoprene	2.50	1.94	1/2-13x2.75 SHCS	1.41	.25	2	F - Precision	6	20 / 35 / 60
RR-250-xxW-CP	Nitrile	2.50	1.94	1/2-13x2.75 SHCS	1.41	.25	2	F - Precision	6	20 / 35 / 60
RR-250-xxUR-CP	Urethane	2.50	1.94	1/2-13x2.75 SHCS	1.41	.25	2	F - Precision	6	35 / 60
RR-250-xx-CPC	Neoprene	2.50	1.94	1/2-13x2.75 SHCS	1.41	.25	2	G - Precision Sealed	6	20 / 35 / 60
RR-250-xxW-CPC	Nitrile	2.50	1.94	1/2-13x2.75 SHCS	1.41	.25	2	G - Precision Sealed	6	20 / 35 / 60
RR-250-xxUR-CPC	Urethane	2.50	1.94	1/2-13x2.75 SHCS	1.41	.25	2	G - Precision Sealed	6	35 / 60
RR-667-xx-C	Neoprene	4.00	1.94	1/2-13x2.75 SHCS	1.41	.25	1	C - Standard	8	35 / 60
RR-667-xxW-C	Nitrile	4.00	1.94	1/2-13x2.75 SHCS	1.41	.25	1	C - Standard	8	35 / 60
RR-667-xxUR-C	Urethane	4.00	1.94	1/2-13x2.75 SHCS	1.41	.25	1	C - Standard	8	35 / 60
RR-667-xx-CP	Neoprene	4.00	1.94	1/2-13x2.75 SHCS	1.41	.25	2	F - Precision	8	35 / 60
RR-667-xxW-CP	Nitrile	4.00	1.94	1/2-13x2.75 SHCS	1.41	.25	2	F - Precision	8	35 / 60
RR-667-xxUR-CP	Urethane	4.00	1.94	1/2-13x2.75 SHCS	1.41	.25	2	F - Precision	8	35 / 60
RR-667-xx-CPC	Neoprene	4.00	1.94	1/2-13x2.75 SHCS	1.41	.25	2	G - Precision Sealed	8	35 / 60
RR-667-xxW-CPC	Nitrile	4.00	1.94	1/2-13x2.75 SHCS	1.41	.25	2	G - Precision Sealed	8	35 / 60
RR-667-xxUR-CPC	Urethane	4.00	1.94	1/2-13x2.75 SHCS	1.41	.25	2	G - Precision Sealed	8	35 / 60

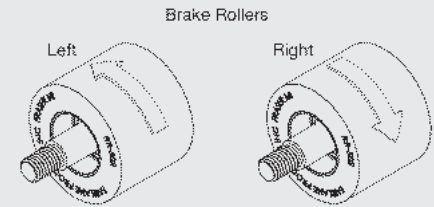
STUD MOUNT - ONE DIRECTIONAL CLUTCH BEARING - SOLID



Solid rollers have a smooth surface and are permanently bonded to a steel insert with the bearing pack pressed in place. The clutch bearings allow the roller to only turn in one direction. They come assembled with a threaded stripper bolt and snap ring for fast easy mounting. Rollers are available in neoprene, nitrile and urethane materials with hardness ranging from 20 to 95 durometer. See page 46 for material and durometer specifications. For specific application requirements, custom modifications are available for this product line. View and download part CAD models at www.fairlaneproducts.com. All the rollers below have a type I bearing except the 1.50 Dia. x 1.25 Width rollers which are supplied with type H bearings. See pages 44 and 45 for bearing type specifications. Available in either right or left hand rotation. With the stud pointed upward, right hand rotation turns clockwise and left hand rotation turns counter-clockwise.

MA MODIFICATIONS AVAILABLE

How To Use

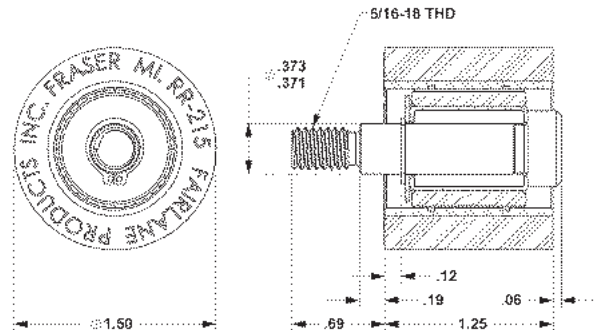


Brake roller clutch bearings will rotate freely in one direction. Note stud direction.

1.50" Dia. x 1.25" Width

Durometer	Neoprene Part #	Nitrile Part #	Urethane Part #
20	BR-215-20-*	BR-215-20W-*	-
35	BR-215-35-*	BR-215-35W-*	BR-215-35UR-*
60	BR-215-60-*	BR-215-60W-*	BR-215-60UR-*
80	BR-215-80-*	BR-215-80W-*	BR-215-80UR-*
95	—	—	BR-215-95UR-*

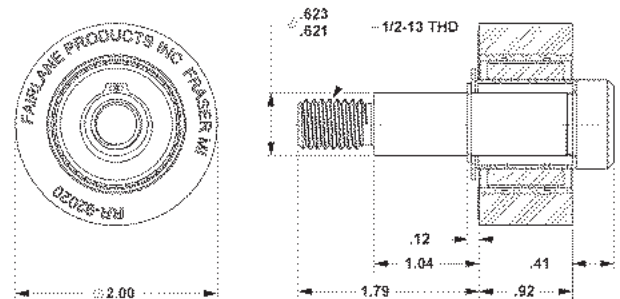
*Add "R" to the end of the part number for right rolling direction. Add "L" to the end of the part number for left rolling direction. Note: Supplied with type H bearing.



2.00" Dia. x .92" Width

Durometer	Neoprene Part #	Nitrile Part #	Urethane Part #
20	BR-92020-20-*	BR-92020-20W-*	-
35	BR-92020-35-*	BR-92020-35W-*	BR-92020-35UR-*
60	BR-92020-60-*	BR-92020-60W-*	BR-92020-60UR-*
80	BR-92020-80-*	BR-92020-80W-*	BR-92020-80UR-*
95	—	—	BR-92020-95UR-*

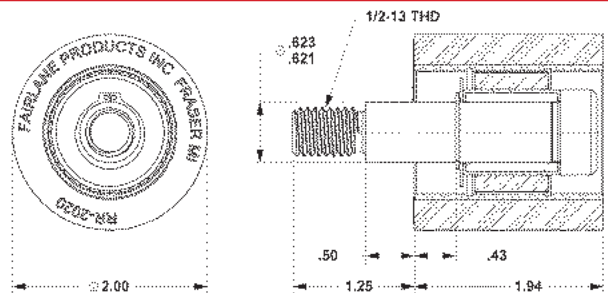
*Add "R" to the end of the part number for right rolling direction. Add "L" to the end of the part number for left rolling direction.



2.00" Dia. x 1.94" Width

Durometer	Neoprene Part #	Nitrile Part #	Urethane Part #
20	BR-2020-20-*	BR-2020-20W-*	-
35	BR-2020-35-*	BR-2020-35W-*	BR-2020-35UR-*
60	BR-2020-60-*	BR-2020-60W-*	BR-2020-60UR-*
80	BR-2020-80-*	BR-2020-80W-*	BR-2020-80UR-*
95	—	—	BR-2020-95UR-*

*Add "R" to the end of the part number for right rolling direction. Add "L" to the end of the part number for left rolling direction.



STUD MOUNT - ONE DIRECTIONAL CLUTCH BEARING - SOLID (cont)

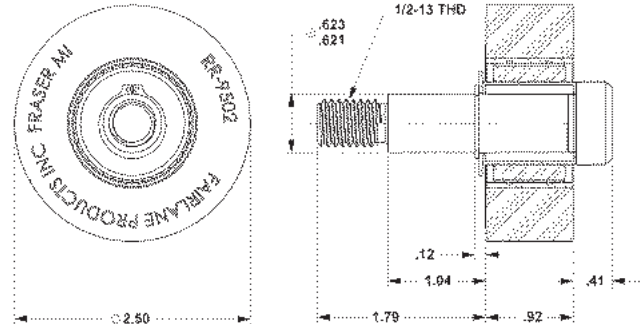


MA MODIFICATIONS AVAILABLE

2.50" Dia. x .92" Width

Durometer	Neoprene Part #	Nitrile Part #	Urethane Part #
20	BR-9502-20-*	BR-9502-20W-*	-
35	BR-9502-35-*	BR-9502-35W-*	BR-9502-35UR-*
60	BR-9502-60-*	BR-9502-60W-*	BR-9502-60UR-*
80	BR-9502-80-*	BR-9502-80W-*	BR-9502-80UR-*
95	—	—	BR-9502-95UR-*

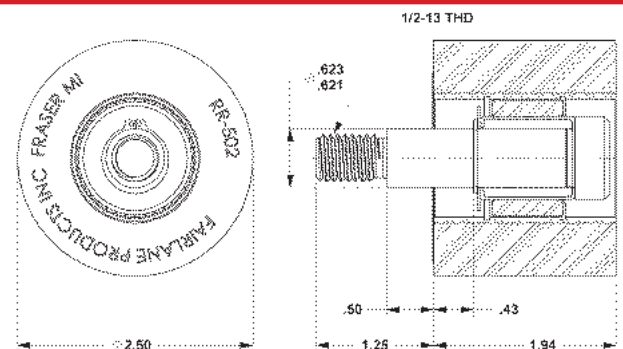
*Add "R" to the end of the part number for right rolling direction. Add "L" to the end of the part number for left rolling direction.



2.50" Dia. x 1.94" Width

Durometer	Neoprene Part #	Nitrile Part #	Urethane Part #
20	BR-502-20-*	BR-502-20W-*	-
35	BR-502-35-*	BR-502-35W-*	BR-502-35UR-*
60	BR-502-60-*	BR-502-60W-*	BR-502-60UR-*
80	BR-502-80-*	BR-502-80W-*	BR-502-80UR-*
95	—	—	BR-502-95UR-*

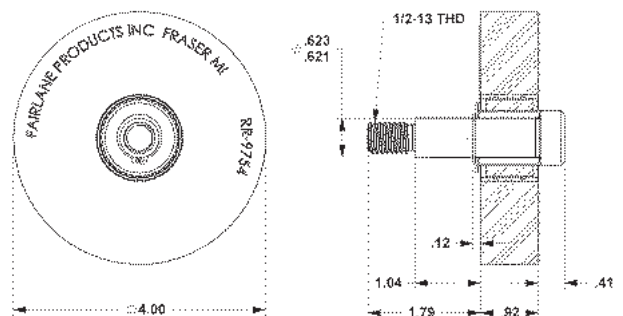
*Add "R" to the end of the part number for right rolling direction. Add "L" to the end of the part number for left rolling direction.



4.00" Dia. x .92" Width

Durometer	Neoprene Part #	Nitrile Part #	Urethane Part #
20	BR-9754-20-*	BR-9754-20W-*	-
35	BR-9754-35-*	BR-9754-35W-*	BR-9754-35UR-*
60	BR-9754-60-*	BR-9754-60W-*	BR-9754-60UR-*
80	BR-9754-80-*	BR-9754-80W-*	BR-9754-80UR-*
95	—	—	BR-9754-95UR-*

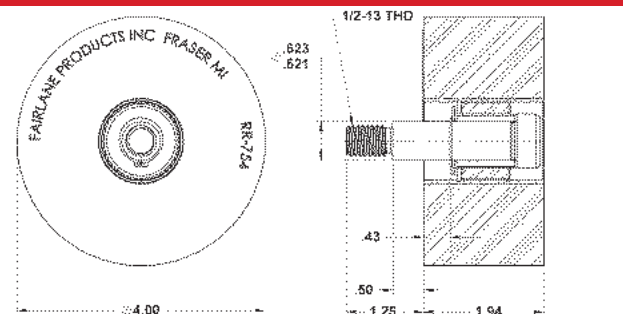
*Add "R" to the end of the part number for right rolling direction. Add "L" to the end of the part number for left rolling direction.



4.00" Dia. x 1.94" Width

Durometer	Neoprene Part #	Nitrile Part #	Urethane Part #
20	BR-754-20-*	BR-754-20W-*	-
35	BR-754-35-*	BR-754-35W-*	BR-754-35UR-*
60	BR-754-60-*	BR-754-60W-*	BR-754-60UR-*
80	BR-754-80-*	BR-754-80W-*	BR-754-80UR-*
95	—	—	BR-754-95UR-*

*Add "R" to the end of the part number for right rolling direction. Add "L" to the end of the part number for left rolling direction.



STUD MOUNT - ONE DIRECTIONAL CLUTCH BEARING - DURASOFT®



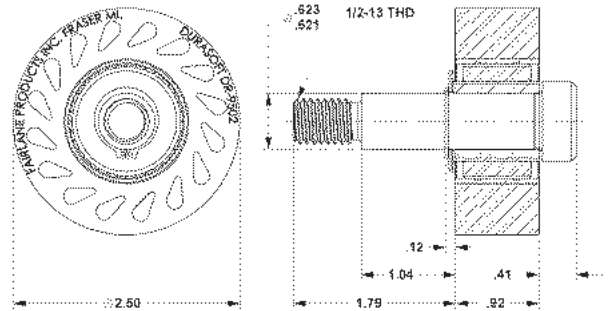
DuraSoft rollers have a smooth surface and are permanently bonded to a steel insert with the bearing pack pressed in place. The clutch bearings allow the roller to only turn in one direction. They come assembled with a threaded stripper bolt and snap ring for fast easy mounting. The "teardrop" holes allow the roller to flex for firm yet non-damaging contact. Rollers are available in neoprene, nitrile and urethane materials with hardness ranging from 20 to 95 durometer. See page 46 for material and durometer specifications. For specific application requirements, custom modifications are available for this product line. View and download part CAD models at www.fairlaneproducts.com. All the rollers below have a type I bearing. See pages 44 and 45 for bearing type specifications. Available in either right or left hand rotation. With the stud pointed upward, right hand rotation turns clockwise and left hand rotation turns counter-clockwise.

MA MODIFICATIONS AVAILABLE

2.50" Dia. x .92" Width

Durometer	Urethane Part #
35	DR-9502-35UR-BR-*
60	DR-9502-60UR-BR-*
80	DR-9502-80UR-BR-*
95	DR-9502-95UR-BR-*

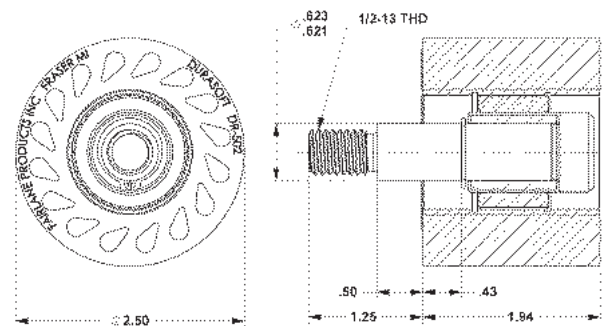
*Add "R" to the end of the part number for right rolling direction. Add "L" to the end of the part number for left rolling direction.



2.50" Dia. x 1.94" Width

Durometer	Urethane Part #
35	DR-502-35UR-BR-*
60	DR-502-60UR-BR-*
80	DR-502-80UR-BR-*
95	DR-502-95UR-BR-*

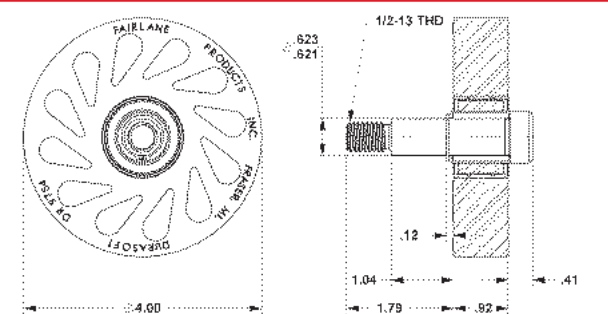
*Add "R" to the end of the part number for right rolling direction. Add "L" to the end of the part number for left rolling direction.



4.00" Dia. x .92" Width

Durometer	Neoprene Part #	Nitrile Part #	Urethane Part #
20	DR-9754-20-BR-*	DR-9754-20W-BR-*	-
35	DR-9754-35-BR-*	DR-9754-35W-BR-*	DR-9754-35UR-BR-*
60	—	—	DR-9754-60UR-BR-*
80	—	—	DR-9754-80UR-BR-*
95	—	—	DR-9754-95UR-BR-*

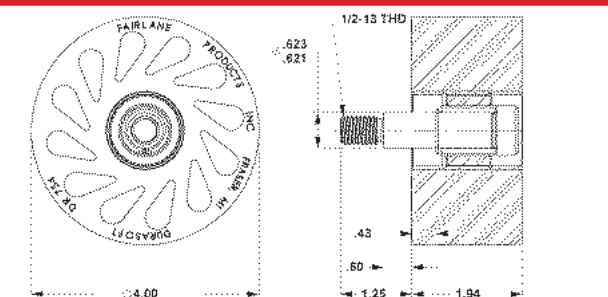
*Add "R" to the end of the part number for right rolling direction. Add "L" to the end of the part number for left rolling direction.



4.00" Dia. x 1.94" Width

Durometer	Neoprene Part #	Nitrile Part #	Urethane Part #
20	DR-754-20-BR-*	DR-754-20W-BR-*	-
35	DR-754-35-BR-*	DR-754-35W-BR-*	DR-754-35UR-BR-*
60	—	—	DR-754-60UR-BR-*
80	—	—	DR-754-80UR-BR-*
95	—	—	DR-754-95UR-BR-*

*Add "R" to the end of the part number for right rolling direction. Add "L" to the end of the part number for left rolling direction.



STUD MOUNT - ONE DIRECTIONAL CLUTCH BEARING - FINNED



How To Use

Left

Right

Brake Rollers

Work Piece

Finned Roller

Brake roller clutch bearings will rotate freely in one direction. Note stud direction.

Fins on rollers prevent dirt and debris from becoming embedded in the roller surface.

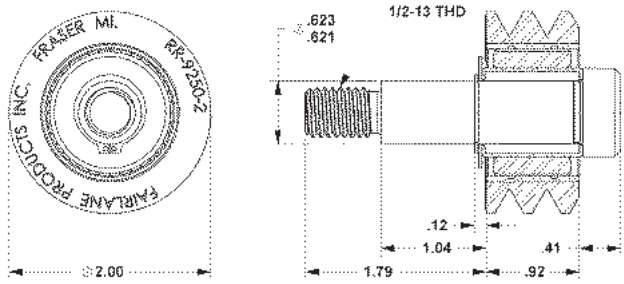
MA MODIFICATIONS AVAILABLE

Finned rollers have grooves on the surface and are permanently bonded to a steel insert with the bearing pack pressed in place. The clutch bearings allow the roller to only turn in one direction. They come assembled with a threaded stripper bolt and snap ring for fast easy mounting. The grooves create less surface contact on the work piece and allow dirt, debris and liquids to pass. Rollers are available in neoprene, nitrile and urethane materials with hardness ranging from 20 to 60 durometer. See page 46 for material and durometer specifications. For specific application requirements, custom modifications are available for this product line. View and download part CAD models at www.fairlaneproducts.com. All the rollers below have a type I bearing. See pages 44 and 45 for bearing type specifications. Available in either right or left hand rotation. With the stud pointed upward, right hand rotation turns clockwise and left hand rotation turns counter-clockwise.

2.00" Dia. x .92" Width

Durometer	Neoprene Part #	Nitrile Part #	Urethane Part #
20	BR-9250-2-20-*	BR-9250-2-20W-*	-
35	BR-9250-2-35-*	BR-9250-2-35W-*	BR-9250-2-35UR-*
60	BR-9250-2-60-*	BR-9250-2-60W-*	BR-9250-2-60UR-*

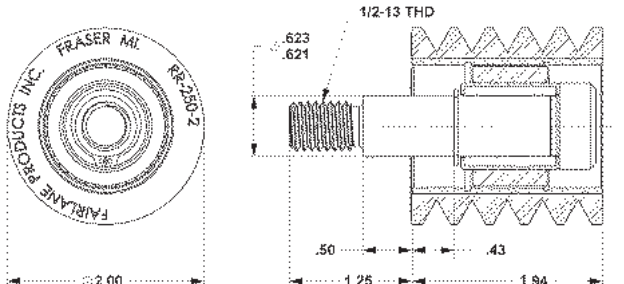
*Add "R" to the end of the part number for right rolling direction. Add "L" to the end of the part number for left rolling direction.



2.00" Dia. x 1.94" Width

Durometer	Neoprene Part #	Nitrile Part #	Urethane Part #
20	BR-250-2-20-*	BR-250-2-20W-*	-
35	BR-250-2-35-*	BR-250-2-35W-*	BR-250-2-35UR-*
60	BR-250-2-60-*	BR-250-2-60W-*	BR-250-2-60UR-*

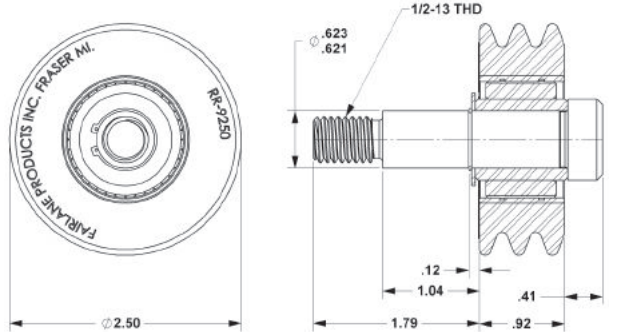
*Add "R" to the end of the part number for right rolling direction. Add "L" to the end of the part number for left rolling direction.



2.50" Dia. x .92" Width

Durometer	Neoprene Part #	Nitrile Part #	Urethane Part #
20	BR-9250-2-20-*	BR-9250-2-20W-*	-
35	BR-9250-2-35-*	BR-9250-2-35W-*	BR-9250-2-35UR-*
60	BR-9250-2-60-*	BR-9250-2-60W-*	BR-9250-2-60UR-*

*Add "R" to the end of the part number for right rolling direction. Add "L" to the end of the part number for left rolling direction.



STUD MOUNT - ONE DIRECTIONAL CLUTCH BEARING - FINNED (cont.)

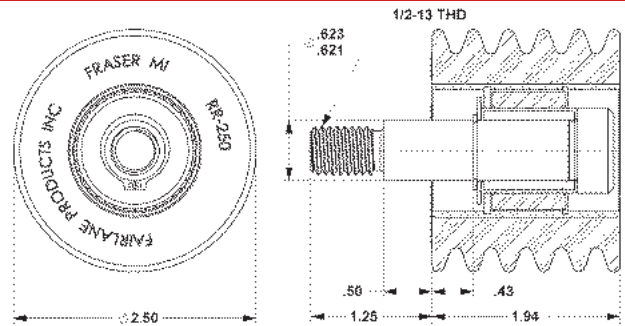
MA MODIFICATIONS AVAILABLE



2.50" Dia. x 1.94" Width

Durometer	Neoprene Part #	Nitrile Part #	Urethane Part #
20	BR-250-20-*	BR-250-20W-*	-
35	BR-250-35-*	BR-250-35W-*	BR-250-35UR-*
60	BR-250-60-*	BR-250-60W-*	BR-250-60UR-*

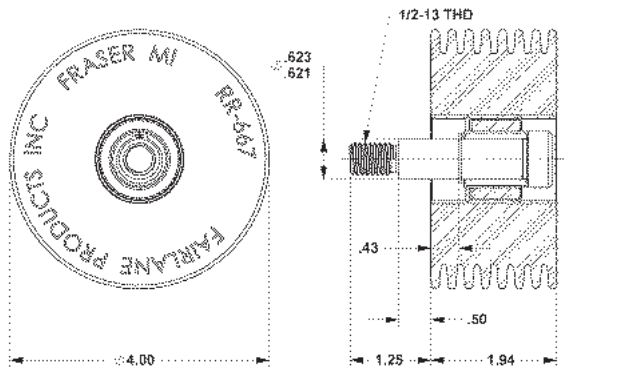
*Add "R" to the end of the part number for right rolling direction. Add "L" to the end of the part number for left rolling direction.



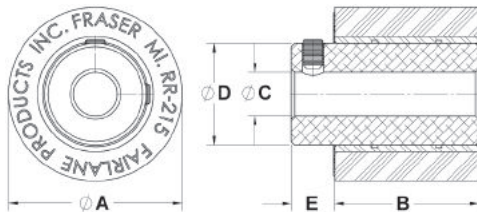
4.00" Dia. x 1.94" Width

Durometer	Neoprene Part #	Nitrile Part #	Urethane Part #
35	BR-667-35-*	BR-667-35W-*	BR-667-35UR-*
60	BR-667-60-*	BR-667-60W-*	BR-667-60UR-*

*Add "R" to the end of the part number for right rolling direction. Add "L" to the end of the part number for left rolling direction.

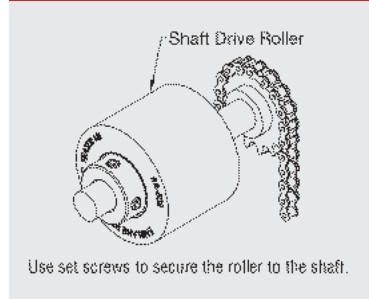


SHAFT DRIVE MOUNT - SOLID ROLLERS



MA MODIFICATIONS AVAILABLE

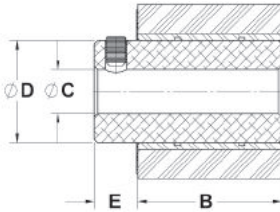
How To Use



Solid rollers have a smooth surface and are permanently bonded to a steel insert. Designed to be mounted on a shaft. A hub extends past the roller and is supplied with two set screws (90 degrees apart) to fasten onto the shaft. Rollers are available in neoprene, nitrile and urethane materials with hardness ranging from 20 to 95 durometer. See page 46 for material and durometer specifications. Line drawings shown are not proportional for all parts. For specific application requirements, custom modifications are available for this product line. View and download part CAD models at www.fairlaneproducts.com. To order part, add desired durometer (xx) to the part number. Sample RR-215-20-EX375.

Part #	Material	A	B	C	D	E	xx = Durometer
RR-215-xx-EX375	Neoprene	1.50	1.25	.376/.380	.88	.38	20 / 35 / 60 / 80
RR-215-xxW-EX375	Nitrile	1.50	1.25	.376/.380	.88	.38	20 / 35 / 60 / 80
RR-215-xxUR-EX375	Urethane	1.50	1.25	.376/.380	.88	.38	35 / 60 / 80 / 95
RR-215-xx-EX500	Neoprene	1.50	1.25	.501/.505	.88	.38	20 / 35 / 60 / 80
RR-215-xxW-EX500	Nitrile	1.50	1.25	.501/.505	.88	.38	20 / 35 / 60 / 80
RR-215-xxUR-EX500	Urethane	1.50	1.25	.501/.505	.88	.38	35 / 60 / 80 / 95
RR-92020-xx-EX500	Neoprene	2.00	.92	.501/.505	1.25	.50	20 / 35 / 60 / 80
RR-92020-xxW-EX500	Nitrile	2.00	.92	.501/.505	1.25	.50	20 / 35 / 60 / 80
RR-92020-xxUR-EX500	Urethane	2.00	.92	.501/.505	1.25	.50	35 / 60 / 80 / 95
RR-92020-xx-EX625	Neoprene	2.00	.92	.626/.631	1.25	.50	20 / 35 / 60 / 80
RR-92020-xxW-EX625	Nitrile	2.00	.92	.626/.631	1.25	.50	20 / 35 / 60 / 80
RR-92020-xxUR-EX625	Urethane	2.00	.92	.626/.631	1.25	.50	35 / 60 / 80 / 95
RR-92020-xx-EX750	Neoprene	2.00	.92	.751/.756	1.25	.50	20 / 35 / 60 / 80
RR-92020-xxW-EX750	Nitrile	2.00	.92	.751/.756	1.25	.50	20 / 35 / 60 / 80
RR-92020-xxUR-EX750	Urethane	2.00	.92	.751/.756	1.25	.50	35 / 60 / 80 / 95
RR-92020-xx-EX10	Neoprene	2.00	.92	1.001/1.006	1.37	.50	20 / 35 / 60 / 80
RR-92020-xxW-EX10	Nitrile	2.00	.92	1.001/1.006	1.37	.50	20 / 35 / 60 / 80
RR-92020-xxUR-EX10	Urethane	2.00	.92	1.001/1.006	1.37	.50	35 / 60 / 80 / 95
RR-2020-xx-EX500	Neoprene	2.00	1.94	.501/.505	1.25	.50	20 / 35 / 60 / 80
RR-2020-xxW-EX500	Nitrile	2.00	1.94	.501/.505	1.25	.50	20 / 35 / 60 / 80
RR-2020-xxUR-EX500	Urethane	2.00	1.94	.501/.505	1.25	.50	35 / 60 / 80 / 95
RR-2020-xx-EX625	Neoprene	2.00	1.94	.626/.631	1.25	.50	20 / 35 / 60 / 80
RR-2020-xxW-EX625	Nitrile	2.00	1.94	.626/.631	1.25	.50	20 / 35 / 60 / 80
RR-2020-xxUR-EX625	Urethane	2.00	1.94	.626/.631	1.25	.50	35 / 60 / 80 / 95
RR-2020-xx-EX750	Neoprene	2.00	1.94	.751/.756	1.25	.50	20 / 35 / 60 / 80
RR-2020-xxW-EX750	Nitrile	2.00	1.94	.751/.756	1.25	.50	20 / 35 / 60 / 80
RR-2020-xxUR-EX750	Urethane	2.00	1.94	.751/.756	1.25	.50	35 / 60 / 80 / 95
RR-2020-xx-EX10	Neoprene	2.00	1.94	1.001/1.006	1.37	.50	20 / 35 / 60 / 80
RR-2020-xxW-EX10	Nitrile	2.00	1.94	1.001/1.006	1.37	.50	20 / 35 / 60 / 80
RR-2020-xxUR-EX10	Urethane	2.00	1.94	1.001/1.006	1.37	.50	35 / 60 / 80 / 95
RR-9502-xx-EX500	Neoprene	2.50	.92	.501/.505	1.25	.50	20 / 35 / 60 / 80
RR-9502-xxW-EX500	Nitrile	2.50	.92	.501/.505	1.25	.50	20 / 35 / 60 / 80
RR-9502-xxUR-EX500	Urethane	2.50	.92	.501/.505	1.25	.50	35 / 60 / 80 / 95
RR-9502-xx-EX625	Neoprene	2.50	.92	.626/.631	1.25	.50	20 / 35 / 60 / 80
RR-9502-xxW-EX625	Nitrile	2.50	.92	.626/.631	1.25	.50	20 / 35 / 60 / 80
RR-9502-xxUR-EX625	Urethane	2.50	.92	.626/.631	1.25	.50	35 / 60 / 80 / 95
RR-9502-xx-EX750	Neoprene	2.50	.92	.751/.756	1.25	.50	20 / 35 / 60 / 80
RR-9502-xxW-EX750	Nitrile	2.50	.92	.751/.756	1.25	.50	20 / 35 / 60 / 80
RR-9502-xxUR-EX750	Urethane	2.50	.92	.751/.756	1.25	.50	35 / 60 / 80 / 95
RR-9502-xx-EX10	Neoprene	2.50	.92	1.001/1.006	1.37	.50	20 / 35 / 60 / 80
RR-9502-xxW-EX10	Nitrile	2.50	.92	1.001/1.006	1.37	.50	20 / 35 / 60 / 80
RR-9502-xxUR-EX10	Urethane	2.50	.92	1.001/1.006	1.37	.50	35 / 60 / 80 / 95
RR-502-xx-EX500	Neoprene	2.50	1.94	.501/.505	1.25	.50	20 / 35 / 60 / 80
RR-502-xxW-EX500	Nitrile	2.50	1.94	.501/.505	1.25	.50	20 / 35 / 60 / 80
RR-502-xxUR-EX500	Urethane	2.50	1.94	.501/.505	1.25	.50	35 / 60 / 80 / 95
RR-502-xx-EX625	Neoprene	2.50	1.94	.626/.631	1.25	.50	20 / 35 / 60 / 80
RR-502-xxW-EX625	Nitrile	2.50	1.94	.626/.631	1.25	.50	20 / 35 / 60 / 80
RR-502-xxUR-EX625	Urethane	2.50	1.94	.626/.631	1.25	.50	35 / 60 / 80 / 95
RR-502-xx-EX750	Neoprene	2.50	1.94	.751/.756	1.25	.50	20 / 35 / 60 / 80
RR-502-xxW-EX750	Nitrile	2.50	1.94	.751/.756	1.25	.50	20 / 35 / 60 / 80
RR-502-xxUR-EX750	Urethane	2.50	1.94	.751/.756	1.25	.50	35 / 60 / 80 / 95

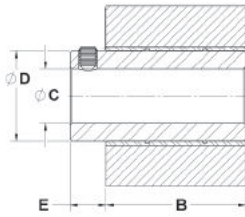
SHAFT DRIVE MOUNT - SOLID ROLLERS (cont.)



MA MODIFICATIONS AVAILABLE

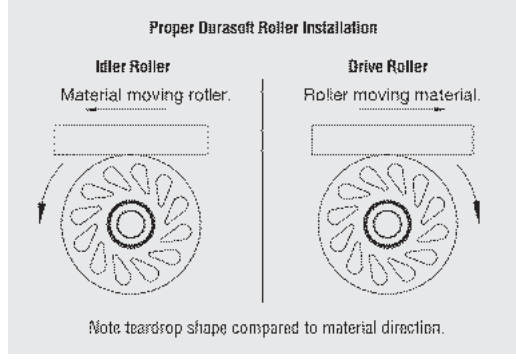
Part #	Material	A	B	C	D	E	xx = Durometer
RR-502-xx-EX10	Neoprene	2.50	1.94	1.001/1.006	1.37	.50	20 / 35 / 60 / 80
RR-502-xxW-EX10	Nitrile	2.50	1.94	1.001/1.006	1.37	.50	20 / 35 / 60 / 80
RR-502-xxUR-EX10	Urethane	2.50	1.94	1.001/1.006	1.37	.50	35 / 60 / 80 / 95
RR-502-xx-EX12	Neoprene	2.50	1.94	1.251/1.256	1.63	.50	60
RR-502-xxUR-EX12	Urethane	2.50	1.94	1.251/1.256	1.63	.50	60 / 80 / 95
RR-9754-xx-EX500	Neoprene	4.00	.92	.501/.505	1.25	.50	20 / 35 / 60 / 80
RR-9754-xxW-EX500	Nitrile	4.00	.92	.501/.505	1.25	.50	20 / 35 / 60 / 80
RR-9754-xxUR-EX500	Urethane	4.00	.92	.501/.505	1.25	.50	35 / 60 / 80 / 95
RR-9754-xx-EX625	Neoprene	4.00	.92	.626/.631	1.25	.50	20 / 35 / 60 / 80
RR-9754-xxW-EX625	Nitrile	4.00	.92	.626/.631	1.25	.50	20 / 35 / 60 / 80
RR-9754-xxUR-EX625	Urethane	4.00	.92	.626/.631	1.25	.50	35 / 60 / 80 / 95
RR-9754-xx-EX750	Neoprene	4.00	.92	.751/.756	1.25	.50	20 / 35 / 60 / 80
RR-9754-xxW-EX750	Nitrile	4.00	.92	.751/.756	1.25	.50	20 / 35 / 60 / 80
RR-9754-xxUR-EX750	Urethane	4.00	.92	.751/.756	1.25	.50	35 / 60 / 80 / 95
RR-9754-xx-EX10	Neoprene	4.00	.92	1.001/1.006	1.37	.50	20 / 35 / 60 / 80
RR-9754-xxW-EX10	Nitrile	4.00	.92	1.001/1.006	1.37	.50	20 / 35 / 60 / 80
RR-9754-xxUR-EX10	Urethane	4.00	.92	1.001/1.006	1.37	.50	35 / 60 / 80 / 95
RR-754-xx-EX500	Neoprene	4.00	1.94	.501/.505	1.25	.50	20 / 35 / 60 / 80
RR-754-xxW-EX500	Nitrile	4.00	1.94	.501/.505	1.25	.50	20 / 35 / 60 / 80
RR-754-xxUR-EX500	Urethane	4.00	1.94	.501/.505	1.25	.50	35 / 60 / 80 / 95
RR-754-xx-EX625	Neoprene	4.00	1.94	.626/.631	1.25	.50	20 / 35 / 60 / 80
RR-754-xxW-EX625	Nitrile	4.00	1.94	.626/.631	1.25	.50	20 / 35 / 60 / 80
RR-754-xxUR-EX625	Urethane	4.00	1.94	.626/.631	1.25	.50	35 / 60 / 80 / 95
RR-754-xx-EX750	Neoprene	4.00	1.94	.751/.756	1.25	.50	20 / 35 / 60 / 80
RR-754-xxW-EX750	Nitrile	4.00	1.94	.751/.756	1.25	.50	20 / 35 / 60 / 80
RR-754-xxUR-EX750	Urethane	4.00	1.94	.751/.756	1.25	.50	35 / 60 / 80 / 95
RR-754-xx-EX10	Neoprene	4.00	1.94	1.001/1.006	1.37	.50	20 / 35 / 60 / 80
RR-754-xxW-EX10	Nitrile	4.00	1.94	1.001/1.006	1.37	.50	20 / 35 / 60 / 80
RR-754-xxUR-EX10	Urethane	4.00	1.94	1.001/1.006	1.37	.50	35 / 60 / 80 / 95
RR-754-xx-EX12	Neoprene	4.00	1.94	1.251/1.256	1.63	.50	35 / 60
RR-754-xxW-EX12	Nitrile	4.00	1.94	1.251/1.256	1.63	.50	60
RR-754-xxUR-EX12	Urethane	4.00	1.94	1.251/1.256	1.63	.50	60 / 80 / 95
RR-5020-xxUR-EX500	Urethane	5.00	1.94	.501/.505	1.25	.50	35 / 60 / 80
RR-5020-xxUR-EX625	Urethane	5.00	1.94	.626/.631	1.25	.50	35 / 60 / 80
RR-5020-xxUR-EX750	Urethane	5.00	1.94	.751/.756	1.25	.50	35 / 60 / 80
RR-5020-xxUR-EX10	Urethane	5.00	1.94	1.001/1.006	1.37	.50	35 / 60 / 80
RR-5020-xxUR-EX12	Urethane	5.00	1.94	1.251/1.256	1.63	.50	35 / 60 / 80
RR-6020-xxUR-EX500	Urethane	6.00	1.94	.501/.505	1.25	.50	35 / 60 / 80
RR-6020-xxUR-EX625	Urethane	6.00	1.94	.626/.631	1.25	.50	35 / 60 / 80
RR-6020-xxUR-EX750	Urethane	6.00	1.94	.751/.756	1.25	.50	35 / 60 / 80
RR-6020-xxUR-EX10	Urethane	6.00	1.94	1.001/1.006	1.37	.50	35 / 60 / 80
RR-6020-xxUR-EX12	Urethane	6.00	1.94	1.251/1.256	1.63	.50	35 / 60 / 80

SHAFT DRIVE MOUNT - DURASOFT® ROLLERS



MA MODIFICATIONS AVAILABLE

How To Use

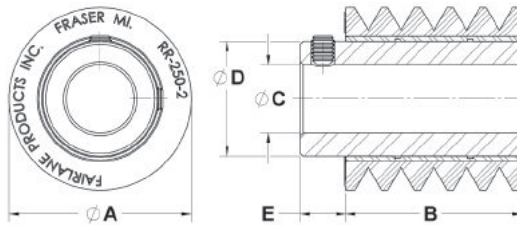


DuraSoft rollers have a smooth surface and are permanently bonded to a steel insert. Designed to be mounted on a shaft. A hub extends past the roller and is supplied with two set screws (90 degrees apart) to fasten onto the shaft. The "teardrop" holes allow the roller to flex for firm yet non-damaging contact. Rollers are available in neoprene, nitrile and urethane materials with hardness ranging from 20 to 95 durometer. See page 46 for material and durometer specifications. Line drawings shown are not proportional for all parts. For specific application requirements, custom modifications are available for this product line. View and download part CAD models at www.fairlaneproducts.com. To order part, add desired durometer (xx) to the part number. Sample DR-9502-35UR-EX500.

Part #	Material	A	B	C	D	E	xx = Durometer
DR-9502-xxUR-EX500	Urethane	2.50	.92	.501/.505	1.25	.50	35 / 60 / 80 / 95
DR-9502-xxUR-EX625	Urethane	2.50	.92	.626/.631	1.25	.50	35 / 60 / 80 / 95
DR-9502-xxUR-EX750	Urethane	2.50	.92	.751/.756	1.25	.50	35 / 60 / 80 / 95
DR-9502-xxUR-EX10	Urethane	2.50	.92	1.001/1.006	1.37	.50	35 / 60 / 80 / 95
DR-502-xxUR-EX500	Urethane	2.50	1.94	.501/.505	1.25	.50	35 / 60 / 80 / 95
DR-502-xxUR-EX625	Urethane	2.50	1.94	.626/.631	1.25	.50	35 / 60 / 80 / 95
DR-502-xxUR-EX750	Urethane	2.50	1.94	.751/.756	1.25	.50	35 / 60 / 80 / 95
DR-502-xxUR-EX10	Urethane	2.50	1.94	1.001/1.006	1.37	.50	35 / 60 / 80 / 95
DR-9754-xx-EX500	Neoprene	4.00	.92	.501/.505	1.25	.50	20 / 35
DR-9754-xxW-EX500	Nitrile	4.00	.92	.501/.505	1.25	.50	20 / 35
DR-9754-xxUR-EX500	Urethane	4.00	.92	.501/.505	1.25	.50	35 / 60 / 80 / 95
DR-9754-xx-EX625	Neoprene	4.00	.92	.626/.631	1.25	.50	20 / 35
DR-9754-xxW-EX625	Nitrile	4.00	.92	.626/.631	1.25	.50	20 / 35
DR-9754-xxUR-EX625	Urethane	4.00	.92	.626/.631	1.25	.50	35 / 60 / 80 / 95
DR-9754-xx-EX750	Neoprene	4.00	.92	.751/.756	1.25	.50	20 / 35
DR-9754-xxW-EX750	Nitrile	4.00	.92	.751/.756	1.25	.50	20 / 35
DR-9754-xxUR-EX750	Urethane	4.00	.92	.751/.756	1.25	.50	35 / 60 / 80 / 95
DR-9754-xx-EX10	Neoprene	4.00	.92	1.001/1.006	1.37	.50	20 / 35
DR-9754-xxW-EX10	Nitrile	4.00	.92	1.001/1.006	1.37	.50	20 / 35
DR-9754-xxUR-EX10	Urethane	4.00	.92	1.001/1.006	1.37	.50	35 / 60 / 80 / 95
DR-754-xx-EX500	Neoprene	4.00	1.94	.501/.505	1.25	.50	20 / 35
DR-754-xxW-EX500	Nitrile	4.00	1.94	.501/.505	1.25	.50	20 / 35
DR-754-xxUR-EX500	Urethane	4.00	1.94	.501/.505	1.25	.50	35 / 60 / 80 / 95
DR-754-xx-EX625	Neoprene	4.00	1.94	.626/.631	1.25	.50	20 / 35
DR-754-xxW-EX625	Nitrile	4.00	1.94	.626/.631	1.25	.50	20 / 35
DR-754-xxUR-EX625	Urethane	4.00	1.94	.626/.631	1.25	.50	35 / 60 / 80 / 95
DR-754-xx-EX750	Neoprene	4.00	1.94	.751/.756	1.25	.50	20 / 35
DR-754-xxW-EX750	Nitrile	4.00	1.94	.751/.756	1.25	.50	20 / 35
DR-754-xxUR-EX750	Urethane	4.00	1.94	.751/.756	1.25	.50	35 / 60 / 80 / 95
DR-754-xx-EX10	Neoprene	4.00	1.94	1.001/1.006	1.37	.50	20 / 35
DR-754-xxW-EX10	Nitrile	4.00	1.94	1.001/1.006	1.37	.50	20 / 35
DR-754-xxUR-EX10	Urethane	4.00	1.94	1.001/1.006	1.37	.50	35 / 60 / 80 / 95

SHAFT DRIVE MOUNT - FINNED ROLLERS

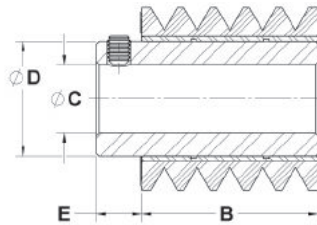
MA MODIFICATIONS AVAILABLE



Finned rollers have grooves on the surface and are permanently bonded to a steel insert. Designed to be mounted on a shaft. A hub extends past the roller and is supplied with two set screws (90 degrees apart) to fasten onto the shaft. The grooves create less surface contact on the work piece and allow dirt, debris and liquids to pass. Rollers are available in neoprene, nitrile and urethane materials with hardness ranging from 20 to 60 durometer. See page 46 for material and durometer specifications. Line drawings shown are not proportional for all parts. For specific application requirements, custom modifications are available for this product line. View and download part CAD models at www.fairlaneproducts.com. To order part, add desired durometer (xx) to the part number. Sample RR-9250-2-20-EX500.

Part #	Material	A	B	C	D	E	# of Fins	xx = Durometer
RR-9250-2-xx-EX500	Neoprene	2.00	.92	.501/.505	1.25	.50	3	20 / 35 / 60
RR-9250-2-xxW-EX500	Nitrile	2.00	.92	.501/.505	1.25	.50	3	20 / 35 / 60
RR-9250-2-xxUR-EX500	Urethane	2.00	.92	.501/.505	1.25	.50	3	35 / 60
RR-9250-2-xx-EX625	Neoprene	2.00	.92	.626/.631	1.25	.50	3	20 / 35 / 60
RR-9250-2-xxW-EX625	Nitrile	2.00	.92	.626/.631	1.25	.50	3	20 / 35 / 60
RR-9250-2-xxUR-EX625	Urethane	2.00	.92	.626/.631	1.25	.50	3	35 / 60
RR-9250-2-xx-EX750	Neoprene	2.00	.92	.751/.756	1.25	.50	3	20 / 35 / 60
RR-9250-2-xxW-EX750	Nitrile	2.00	.92	.751/.756	1.25	.50	3	20 / 35 / 60
RR-9250-2-xxUR-EX750	Urethane	2.00	.92	.751/.756	1.25	.50	3	35 / 60
RR-9250-2-xx-EX10	Neoprene	2.00	.92	1.001/1.006	1.37	.50	3	20 / 35 / 60
RR-9250-2-xxW-EX10	Nitrile	2.00	.92	1.001/1.006	1.37	.50	3	20 / 35 / 60
RR-9250-2-xxUR-EX10	Urethane	2.00	.92	1.001/1.006	1.37	.50	3	35 / 60
RR-250-2-xx-EX500	Neoprene	2.00	1.94	.501/.505	1.25	.50	6	20 / 35 / 60
RR-250-2-xxW-EX500	Nitrile	2.00	1.94	.501/.505	1.25	.50	6	20 / 35 / 60
RR-250-2-xxUR-EX500	Urethane	2.00	1.94	.501/.505	1.25	.50	6	35 / 60
RR-250-2-xx-EX625	Neoprene	2.00	1.94	.626/.631	1.25	.50	6	20 / 35 / 60
RR-250-2-xxW-EX625	Nitrile	2.00	1.94	.626/.631	1.25	.50	6	20 / 35 / 60
RR-250-2-xxUR-EX625	Urethane	2.00	1.94	.626/.631	1.25	.50	6	35 / 60
RR-250-2-xx-EX750	Neoprene	2.00	1.94	.751/.756	1.25	.50	6	20 / 35 / 60
RR-250-2-xxW-EX750	Nitrile	2.00	1.94	.751/.756	1.25	.50	6	20 / 35 / 60
RR-250-2-xxUR-EX750	Urethane	2.00	1.94	.751/.756	1.25	.50	6	35 / 60
RR-250-2-xx-EX10	Neoprene	2.00	1.94	1.001/1.006	1.37	.50	6	20 / 35 / 60
RR-250-2-xxW-EX10	Nitrile	2.00	1.94	1.001/1.006	1.37	.50	6	20 / 35 / 60
RR-250-2-xxUR-EX10	Urethane	2.00	1.94	1.001/1.006	1.37	.50	6	35 / 60
RR-9250-xx-EX500	Neoprene	2.50	.92	.501/.505	1.25	.50	3	20 / 35 / 60
RR-9250-xxW-EX500	Nitrile	2.50	.92	.501/.505	1.25	.50	3	20 / 35 / 60
RR-9250-xxUR-EX500	Urethane	2.50	.92	.501/.505	1.25	.50	3	35 / 60
RR-9250-xx-EX625	Neoprene	2.50	.92	.626/.631	1.25	.50	3	20 / 35 / 60
RR-9250-xxW-EX625	Nitrile	2.50	.92	.626/.631	1.25	.50	3	20 / 35 / 60
RR-9250-xxUR-EX625	Urethane	2.50	.92	.626/.631	1.25	.50	3	35 / 60
RR-9250-xx-EX750	Neoprene	2.50	.92	.751/.756	1.25	.50	3	20 / 35 / 60
RR-9250-xxW-EX750	Nitrile	2.50	.92	.751/.756	1.25	.50	3	20 / 35 / 60
RR-9250-xxUR-EX750	Urethane	2.50	.92	.751/.756	1.25	.50	3	35 / 60
RR-9250-xx-EX10	Neoprene	2.50	.92	1.001/1.006	1.37	.50	3	20 / 35 / 60
RR-9250-xxW-EX10	Nitrile	2.50	.92	1.001/1.006	1.37	.50	3	20 / 35 / 60
RR-9250-xxUR-EX10	Urethane	2.50	.92	1.001/1.006	1.37	.50	3	35 / 60
RR-250-xx-EX500	Neoprene	2.50	1.94	.501/.505	1.25	.50	6	20 / 35 / 60
RR-250-xxW-EX500	Nitrile	2.50	1.94	.501/.505	1.25	.50	6	20 / 35 / 60
RR-250-xxUR-EX500	Urethane	2.50	1.94	.501/.505	1.25	.50	6	35 / 60
RR-250-xx-EX625	Neoprene	2.50	1.94	.626/.631	1.25	.50	6	20 / 35 / 60
RR-250-xxW-EX625	Nitrile	2.50	1.94	.626/.631	1.25	.50	6	20 / 35 / 60
RR-250-xxUR-EX625	Urethane	2.50	1.94	.626/.631	1.25	.50	6	35 / 60
RR-250-xx-EX750	Neoprene	2.50	1.94	.751/.756	1.25	.50	6	20 / 35 / 60
RR-250-xxW-EX750	Nitrile	2.50	1.94	.751/.756	1.25	.50	6	20 / 35 / 60
RR-250-xxUR-EX750	Urethane	2.50	1.94	.751/.756	1.25	.50	6	35 / 60
RR-250-xx-EX10	Neoprene	2.50	1.94	1.001/1.006	1.37	.50	6	20 / 35 / 60
RR-250-xxW-EX10	Nitrile	2.50	1.94	1.001/1.006	1.37	.50	6	20 / 35 / 60
RR-250-xxUR-EX10	Urethane	2.50	1.94	1.001/1.006	1.37	.50	6	35 / 60
RR-250-xx-EX12	Neoprene	2.50	1.94	1.251/1.256	1.63	.50	6	35

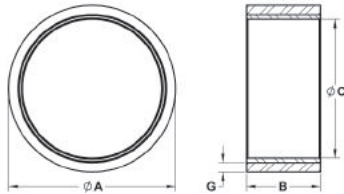
SHAFT DRIVE MOUNT - FINNED ROLLERS (cont)



MA MODIFICATIONS AVAILABLE

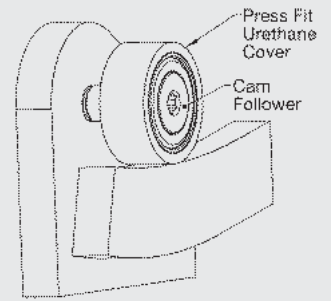
Part #	Material	A	B	C	E	D	E	# of Fins	xx = Durometer
RR-667-xx-EX500	Neoprene	4.00	1.94	.501/.505	1.25	.50	.50	8	35 / 60
RR-667-xxW-EX500	Nitrile	4.00	1.94	.501/.505	1.25	.50	.50	8	35 / 60
RR-667-xxUR-EX500	Urethane	4.00	1.94	.501/.505	1.25	.50	.50	8	35 / 60
RR-667-xx-EX625	Neoprene	4.00	1.94	.626/.631	1.25	.50	.50	8	35 / 60
RR-667-xxW-EX625	Nitrile	4.00	1.94	.626/.631	1.25	.50	.50	8	35 / 60
RR-667-xxUR-EX625	Urethane	4.00	1.94	.626/.631	1.25	.50	.50	8	35 / 60
RR-667-xx-EX750	Neoprene	4.00	1.94	.751/.756	1.25	.50	.50	8	35 / 60
RR-667-xxW-EX750	Nitrile	4.00	1.94	.751/.756	1.25	.50	.50	8	35 / 60
RR-667-xxUR-EX750	Urethane	4.00	1.94	.751/.756	1.25	.50	.50	8	35 / 60
RR-667-xx-EX10	Neoprene	4.00	1.94	1.001/1.006	1.37	.50	.50	8	35 / 60
RR-667-xxW-EX10	Nitrile	4.00	1.94	1.001/1.006	1.37	.50	.50	8	35 / 60
RR-667-xxUR-EX10	Urethane	4.00	1.94	1.001/1.006	1.37	.50	.50	8	35 / 60
RR-667-xx-EX12	Neoprene	4.00	1.94	1.251/1.256	1.63	.50	.50	8	35
RR-667-xxUR-EX12	Urethane	4.00	1.94	1.251/1.256	1.63	.50	.50	8	60

CAM FOLLOWER COVERS - PRESS-FIT



Cam follower covers have a smooth urethane outer surface that is permanently bonded to a steel insert. They are designed to be press fit on to standard cam followers to prevent metal to metal contact and damage to finished or delicate surfaces. They also extend the life of the cam follower and provide noise reduction during operation. The urethane provides excellent abrasion resistance and durability and is available in 95 durometer hardness. See page 46 for material and durometer specifications. Line drawings shown are not proportional for all parts. For specific application requirements, custom modifications are available for this product line. View and download part CAD models at www.fairlaneproducts.com.

How To Use



Urethane covers protect cam followers and reduces noise.

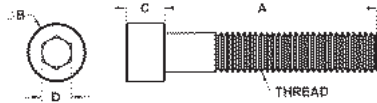
Part #	A	B	C	(Ref) G
PR-081206-95UR	.75	.38	.500	.06
PR-091306-95UR	.81	.38	.563	.06
PR-101407-95UR	.88	.44	.625	.06
PR-111607-95UR	1.00	.44	.688	.09
PR-121808-95UR	1.12	.50	.750	.12
PR-142008-95UR	1.25	.50	.875	.12
PR-162210-95UR	1.38	.62	1.000	.12
PR-182410-95UR	1.50	.62	1.125	.12
PR-202612-95UR	1.62	.75	1.250	.12
PR-222812-95UR	1.75	.75	1.375	.12
PR-243014-95UR	1.88	.88	1.500	.12
PR-263214-95UR	2.00	.88	1.625	.12

Part #	A	B	C	(Ref) G
PR-283416-95UR	2.12	1.00	1.750	.12
PR-303616-95UR	2.25	1.00	1.875	.12
PR-324020-95UR	2.50	1.25	2.000	.12
PR-364420-95UR	2.75	1.25	2.250	.12
PR-404824-95UR	3.00	1.50	2.500	.12
PR-445224-95UR	3.25	1.50	2.750	.12
PR-485628-95UR	3.50	1.75	3.000	.12
PR-526028-95UR	3.75	1.75	3.250	.12
PR-566432-95UR	4.00	2.00	3.500	.12
PR-647236-95UR	4.50	2.25	4.000	.12

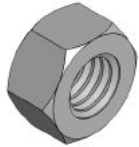
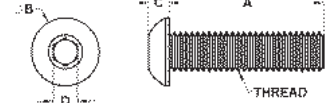
BOLTS, SPACERS AND LOCK NUTS FOR COVERED BEARINGS



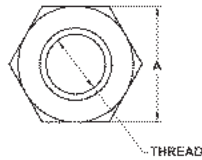
Socket Head Cap Screws



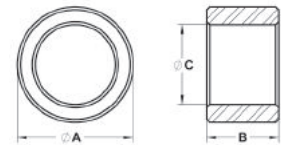
Button Head Cap Screws



Lock Nuts



Spacers



These bolts, nuts and spacers are used with the Stud Mount Covered Bearings shown on pages 7 and 17.

Socket Head Cap Screws

INCH

Part #	A	B	C	D	Thread
RCSS-51618-2500	2-1/2	15/32	5/16	1/4	5/16-18
RCSS-3816-2750	2-3/4	9/16	3/8	5/16	3/8-16
RCSS-1213-2750	2-3/4	3/4	1/2	3/8	1/2-13

Button Head Cap Screws

INCH

Part #	A	B	C	D	Thread
RCSB-1420-1250	1-1/4	7/16	.132	5/32	1/4-20
RCSB-1420-1500	1-1/2	7/16	.132	5/32	1/4-20
RCSB-51618-1500	1-1/2	35/64	.166	3/16	5/16-18
RCSB-51618-1750	1-3/4	35/64	.166	3/16	5/16-18
RCSB-3816-1500	1-1/2	21/32	.199	7/32	3/8-16
RCSB-3816-1750	1-3/4	21/32	.199	7/32	3/8-16
RCSB-1213-2000	2	7/8	.266	5/16	1/2-13
RCSB-5811-2250	2-1/4	1	.331	3/8	5/8-11
RCSB-5811-3000	3	1	.331	3/8	5/8-11

METRIC

Part #	A	B	C	D	Thread
RCSB-M508-035	35	9.5	2.75	3	M5X0.8
RCSB-M610-040	40	10.5	3.3	4	M6X1.00
RCSB-M8125-040	40	14	4.4	5	M8X1.25
RCSB-M10150-045	45	18	5.5	6	M10X1.50
RCSB-M12175-045	45	21	6.6	8	M12X1.75

Lock Nuts

INCH

Part #	A	Thread
RRN-1420	7/16	1/4-20
RRN-51618	1/2	5/16-18
RRN-3816	1/2	3/8-16
RRN-1213	3/4	1/2-13
RRN-5811	1	5/8-11

METRIC

Part #	A	Thread
RRN-M508	8	M5X0.8
RRN-M610	10	M6X1.00
RRN-M8125	13	M8X1.25
RRN-M10150	17	M10X1.50
RRN-M12175	19	M12X1.75

Spacers - Steel

INCH

Part #	A	B	C
RSP-04-120	3/8	.12	1/4
RSP-04-189	3/8	.19	1/4
RSP-04-234	3/8	.23	1/4
RSP-05-120	1/2	.12	5/16
RSP-05-203	1/2	.20	5/16
RSP-05-875	1/2	.87	5/16
RSP-06-120	5/8	.12	3/8
RSP-06-203	5/8	.20	3/8
RSP-06-247	5/8	.25	3/8
RSP-06-845	5/8	.84	3/8
RSP-06-875	5/8	.87	3/8
RSP-08-120	3/4	.12	1/2
RSP-08-372	3/4	.37	1/2
RSP-08-406	3/4	.41	1/2
RSP-08-782	3/4	.78	1/2
RSP-500	3/4	.84	1/2
RSP-10-120	7/8	.12	5/8
RSP-10-406	7/8	.41	5/8
RSP-10-500	7/8	.50	5/8
RSP-10-720	7/8	.72	5/8
RSP-10-782	7/8	.78	5/8

Spacers - Aluminum

METRIC

Part #	A	B	C
RSPA-M5-3	9.5	3	5.6
RSPA-M6-3	9.5	3	6.5
RSPA-M8-3	12.7	3	8.1
RSPA-M10-3	15.9	3	10.2
RSPA-M12-3	19.1	3	12.9

BUMPERS - ROUND

Inch - Female Thread - Hex Shoulder - Steel Core - 3/4" Diameter

MA MODIFICATIONS AVAILABLE



Used for stops, guides, bumpers and protection. Molded bumper bonded to steel core for durability. Urethane offers highest resistance, strength and load bearing. High elongation hardness. Resistant to ozone and oxygen. See page 46 for material and durometer specifications. For specific application requirements, custom modifications are available for this product line. View and download part CAD models at www.fairlaneproducts.com.

Part #	A Dia	B Length	C	D	Durometer	Thread	Thread Depth	Hex	Material
RBH-516-024UR	3/4	13/16	9/16	3/16	80	#10-24	7/16	1/2	Urethane
RBH-516-032UR	3/4	13/16	9/16	3/16	80	#10-32	7/16	1/2	Urethane
RBH-516-120UR	3/4	13/16	9/16	3/16	80	1/4-20	7/16	1/2	Urethane
RBH-516-128UR	3/4	13/16	9/16	3/16	80	1/4-28	7/16	1/2	Urethane
RBH-516-518UR	3/4	13/16	9/16	3/16	80	5/16-18	7/16	1/2	Urethane
RBH-516-524UR	3/4	13/16	9/16	3/16	80	5/16-24	7/16	1/2	Urethane

Inch - Female Thread - Flush Mount - Steel Core - 3/4" Diameter

MA MODIFICATIONS AVAILABLE



EXPANDED LINE

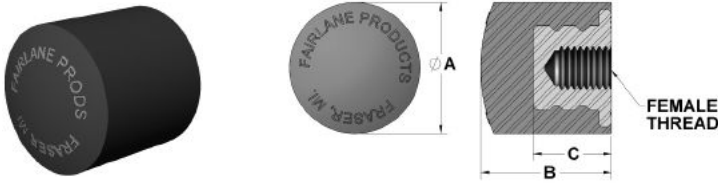
Used for stops, guides, bumpers and protection. Molded bumper bonded to steel core for durability. Neoprene offers good resistance against weather, gasoline, oil, ozone and high temperature. Urethane offers highest resistance, strength and load bearing. High elongation hardness and is resistant to ozone and oxygen. Nitrile is chemical resistant and non-marring. See page 46 for material and durometer specifications. For specific application requirements, custom modifications are available for this product line. View and download part CAD models at www.fairlaneproducts.com.

Part #	A Dia	B Length	C	Durometer	Thread	Thread Depth	Material
RB-516-024-40	3/4	5/8	3/8	40	#10-24	1/4	Neoprene
RB-516-024	3/4	5/8	3/8	70	#10-24	1/4	Neoprene
RB-516-032-40	3/4	5/8	3/8	40	#10-32	1/4	Neoprene
RB-516-032	3/4	5/8	3/8	70	#10-32	1/4	Neoprene
RB-516-120-40	3/4	5/8	3/8	40	1/4-20	1/4	Neoprene
RB-516-120	3/4	5/8	3/8	70	1/4-20	1/4	Neoprene
RB-516-128-40	3/4	5/8	3/8	40	1/4-28	1/4	Neoprene
RB-516-128	3/4	5/8	3/8	70	1/4-28	1/4	Neoprene
RB-516-518-40	3/4	5/8	3/8	40	5/16-18	1/4	Neoprene
RB-516-518	3/4	5/8	3/8	70	5/16-18	1/4	Neoprene
RB-516-524-40	3/4	5/8	3/8	40	5/16-24	1/4	Neoprene
RB-516-524	3/4	5/8	3/8	70	5/16-24	1/4	Neoprene
RB-516-024UR	3/4	5/8	3/8	80	#10-24	1/4	Urethane
RB-516-032UR	3/4	5/8	3/8	80	#10-32	1/4	Urethane
RB-516-120UR	3/4	5/8	3/8	80	1/4-20	1/4	Urethane
RB-516-128UR	3/4	5/8	3/8	80	1/4-28	1/4	Urethane
RB-516-60UR	3/4	5/8	3/8	60	5/16-18	1/4	Urethane
RB-516-518UR	3/4	5/8	3/8	80	5/16-18	1/4	Urethane
RB-516-524UR	3/4	5/8	3/8	80	5/16-24	1/4	Urethane
RB-516-70W	3/4	5/8	3/8	70	5/16-18	1/4	Nitrile

BUMPERS - ROUND

Inch - Female Thread - Flush Mount - Steel Core - 1-1/4" to 2-1/4" Diameter

MA MODIFICATIONS AVAILABLE



Used for stops, guides, bumpers and protection. Molded bumper bonded to steel core for durability. Neoprene offers good resistance against weather, gasoline, oil, ozone and high temperature. Urethane offers highest resistance, strength and load bearing. High elongation hardness and is resistant to ozone and oxygen. Nitrile is chemical resistant and non-marring. See page 46 for material and durometer specifications. For specific application requirements, custom modifications are available for this product line. View and download part CAD models at www.fairlaneproducts.com.

Part #	A Dia	B Length	C	Durometer	Thread	Thread Depth	Material
RB-3	1-1/4	1-1/4	3/4	40	3/8-16	1/2	Neoprene
RB-4	1-1/4	1-1/4	3/4	40	3/8-24	1/2	Neoprene
RB-5	1-1/4	1-1/4	3/4	40	1/2-13	1/2	Neoprene
RB-6	1-1/4	1-1/4	3/4	40	1/2-20	1/2	Neoprene
RB-7	1-1/4	1-1/4	3/4	40	7/16-20	1/2	Neoprene
RB-8	1-1/4	1-1/4	3/4	40	5/8-18	1/2	Neoprene
RB-9	1-3/4	1-5/8	7/8	40	5/8-11	5/8	Neoprene
RB-10	1-3/4	1-5/8	7/8	40	5/8-18	5/8	Neoprene
RB-12	2-1/4	2-1/4	1-3/8	40	3/4-10	1"	Neoprene
RB-13	2-1/4	2-1/4	1-3/8	40	3/4-16	1"	Neoprene
RB-14	2-1/4	2-1/4	1-3/8	40	1"-8	1"	Neoprene
RB-3W	1-1/4	1-1/4	3/4	40	3/8-16	1/2	Nitrile
RB-4W	1-1/4	1-1/4	3/4	40	3/8-24	1/2	Nitrile
RB-5W	1-1/4	1-1/4	3/4	40	1/2-13	1/2	Nitrile
RB-6W	1-1/4	1-1/4	3/4	40	1/2-20	1/2	Nitrile
RB-7W	1-1/4	1-1/4	3/4	40	7/16-20	1/2	Nitrile
RB-8W	1-1/4	1-1/4	3/4	40	5/8-18	1/2	Nitrile
RB-9W	1-3/4	1-5/8	7/8	40	5/8-11	5/8	Nitrile
RB-10W	1-3/4	1-5/8	7/8	40	5/8-18	5/8	Nitrile
RB-12W	2-1/4	2-1/4	1-3/8	40	3/4-10	1"	Nitrile
RB-13W	2-1/4	2-1/4	1-3/8	40	3/4-16	1"	Nitrile
RB-14W	2-1/4	2-1/4	1-3/8	40	1"-8	1"	Nitrile
RB-3-60UR	1-1/4	1-1/4	3/4	60	3/8-16	1/2	Urethane
RB-3UR	1-1/4	1-1/4	3/4	80	3/8-16	1/2	Urethane
RB-4-60UR	1-1/4	1-1/4	3/4	60	3/8-24	1/2	Urethane
RB-4UR	1-1/4	1-1/4	3/4	80	3/8-24	1/2	Urethane
RB-5-60UR	1-1/4	1-1/4	3/4	60	1/2-13	1/2	Urethane
RB-5UR	1-1/4	1-1/4	3/4	80	1/2-13	1/2	Urethane
RB-6-60UR	1-1/4	1-1/4	3/4	60	1/2-20	1/2	Urethane
RB-6UR	1-1/4	1-1/4	3/4	80	1/2-20	1/2	Urethane
RB-7-60UR	1-1/4	1-1/4	3/4	60	7/16-20	1/2	Urethane
RB-7UR	1-1/4	1-1/4	3/4	80	7/16-20	1/2	Urethane
RB-8-60UR	1-1/4	1-1/4	3/4	60	5/8-18	1/2	Urethane
RB-8UR	1-1/4	1-1/4	3/4	80	5/8-18	1/2	Urethane
RB-9-60UR	1-3/4	1-5/8	7/8	60	5/8-11	5/8	Urethane
RB-9UR	1-3/4	1-5/8	7/8	80	5/8-11	5/8	Urethane
RB-10-60UR	1-3/4	1-5/8	7/8	60	5/8-18	5/8	Urethane
RB-10UR	1-3/4	1-5/8	7/8	80	5/8-18	5/8	Urethane
RB-12-60UR	2-1/4	2-1/4	1-3/8	60	3/4-10	1"	Urethane
RB-12UR	2-1/4	2-1/4	1-3/8	80	3/4-10	1"	Urethane
RB-13-60UR	2-1/4	2-1/4	1-3/8	60	3/4-16	1"	Urethane
RB-13UR	2-1/4	2-1/4	1-3/8	80	3/4-16	1"	Urethane
RB-14-60UR	2-1/4	2-1/4	1-3/8	60	1"-8	1"	Urethane
RB-14UR	2-1/4	2-1/4	1-3/8	80	1"-8	1"	Urethane

BUMPERS - ROUND

Metric - Female Thread - Flush Mount - Steel Core - 19mm to 57mm Diameter

MA MODIFICATIONS AVAILABLE

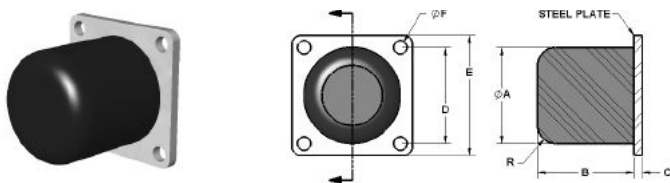


Used for stops, guides, bumpers and protection. Molded bumper bonded to steel core for durability. Neoprene offers good resistance against weather, gasoline, oil, ozone and high temperature. Urethane offers highest resistance, strength and load bearing. High elongation hardness. Resistant to ozone and oxygen. See page 46 for material and durometer specifications. For specific application requirements, custom modifications are available for this product line. View and download part CAD models at www.fairlaneproducts.com.

Part #	A Dia	B Length	C	Durometer	Thread	Thread Depth	Material
MRB-5166	19	16	9.0	70	M6X1.0	6	Neoprene
MRB-5168	19	16	9.0	70	M8X1.25	6	Neoprene
MRB-3	32	32	19.0	40	M10X1.5	13	Neoprene
MRB-4	32	32	19.0	40	M10X1.25	13	Neoprene
MRB-5	32	32	19.0	40	M12X1.75	13	Neoprene
MRB-6	32	32	19.0	40	M12X1.25	13	Neoprene
MRB-8	32	32	19.0	40	M16X2.0	13	Neoprene
MRB-9	45	42	22.5	40	M16X2.0	16	Neoprene
MRB-12	57	57	35.0	40	M20X2.5	25	Neoprene
MRB-14	57	57	35.0	40	M24X3.0	25	Neoprene
MRB-5166-80UR	19	16	9.0	80	M6X1.0	6	Urethane
MRB-5168-80UR	19	16	9.0	80	M8X1.25	6	Urethane
MRB-3UR	32	32	19.0	80	M10X1.5	13	Urethane
MRB-4UR	32	32	19.0	80	M10X1.25	13	Urethane
MRB-5UR	32	32	19.0	80	M12X1.75	13	Urethane
MRB-6UR	32	32	19.0	80	M12X1.25	13	Urethane
MRB-8UR	32	32	19.0	80	M16X2.0	13	Urethane
MRB-9UR	45	42	22.5	80	M16X2.0	16	Urethane
MRB-12UR	57	57	35.0	80	M20X2.5	25	Urethane
MRB-14UR	57	57	35.0	80	M24X3.0	25	Urethane

Inch - Steel Plate Mount - 2" to 4" Diameter

MA MODIFICATIONS AVAILABLE



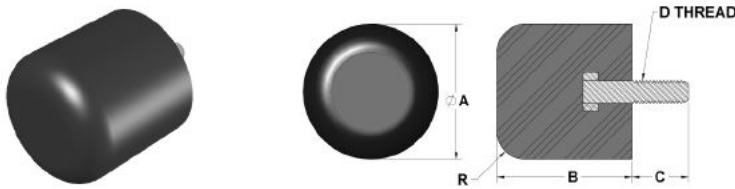
Used for stops, guides, bumpers and protection. Molded urethane bonded to steel plate. Urethane offers highest resistance, strength and load bearing. High elongation hardness and resistant to ozone and oxygen. See page 46 for material and durometer specifications. For specific application requirements, custom modifications are available for this product line. View and download part CAD models at www.fairlaneproducts.com.

Part #	A Dia	B Length	C	D	Durometer	E	F	R	Material
RB-2020-P-60UR	2	2	3/16	2	60	2-1/2	9/32	3/8	Urethane
RB-2525-P-60UR	2-1/2	2-1/2	3/16	2-1/2	60	3-1/4	9/32	1/2	Urethane
RB-3030-P-60UR	3	3	1/4	3	60	4	13/32	5/8	Urethane
RB-4040-P-60UR	4	4	1/4	4	60	5	13/32	3/4	Urethane
RB-2020-P-80UR	2	2	3/16	2	80	2-1/2	9/32	3/8	Urethane
RB-2525-P-80UR	2-1/2	2-1/2	3/16	2-1/2	80	3-1/4	9/32	1/2	Urethane
RB-3030-P-80UR	3	3	1/4	3	80	4	13/32	5/8	Urethane
RB-4040-P-80UR	4	4	1/4	4	80	5	13/32	3/4	Urethane

BUMPERS - ROUND

Inch - Male Thread - Flush Mount - 1" to 4" Diameter

MA MODIFICATIONS AVAILABLE

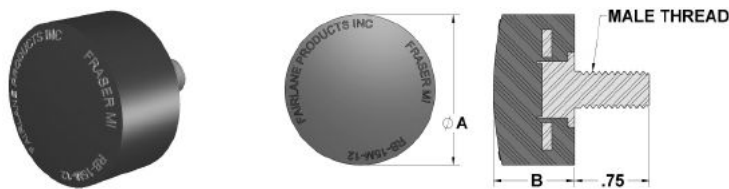


Used for stops, guides, bumpers and protection. Molded bumper bonded to steel stud. Urethane offers highest resistance, strength and load bearing. High elongation hardness and is resistant to ozone and oxygen. See page 46 for material and durometer specifications. For specific application requirements, custom modifications are available for this product line. View and download part CAD models at www.fairlaneproducts.com.

Part #	A Dia	B Length	C Thread Length	D Thread	R	Durometer	Material
RB-1010-M14-60UR	1	1	7/8	5/16-18	1/4	60	Urethane
RB-1010-M14-80UR	1	1	7/8	5/16-18	1/4	80	Urethane
RB-1515-M14-60UR	1-1/2	1-1/2	7/8	5/16-18	5/16	60	Urethane
RB-1515-M14-80UR	1-1/2	1-1/2	7/8	5/16-18	5/16	80	Urethane
RB-2020-M14-60UR	2	2	7/8	5/16-18	3/8	60	Urethane
RB-2020-M14-80UR	2	2	7/8	5/16-18	3/8	80	Urethane
RB-2525-M14-60UR	2-1/2	2-1/2	7/8	3/8-16	1/2	60	Urethane
RB-2525-M14-80UR	2-1/2	2-1/2	7/8	3/8-16	1/2	80	Urethane
RB-3030-M20-60UR	3	3	1-1/4	1/2-13	5/8	60	Urethane
RB-3030-M20-80UR	3	3	1-1/4	1/2-13	5/8	80	Urethane
RB-4040-M21-60UR	4	4	1-5/16	1/2-13	3/4	60	Urethane
RB-4040-M21-80UR	4	4	1-5/16	1/2-13	3/4	80	Urethane

Inch - Male Thread - Low Profile - Flush Mount - 1-1/2" Diameter

MA MODIFICATIONS AVAILABLE

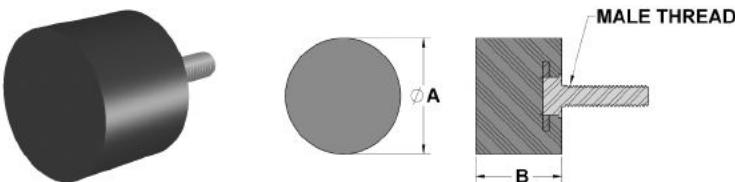


Used for stops, guides, bumpers and protection. Molded bumper bonded to steel stud. Neoprene offers good resistance against weather, gasoline, oil, ozone and high temperature. Urethane offers highest resistance, strength and load bearing. High elongation hardness and is resistant to ozone and oxygen. See page 46 for material and durometer specifications. For specific application requirements, custom modifications are available for this product line. View and download part CAD models at www.fairlaneproducts.com.

Part #	A Dia	B Length	Durometer	Thread	Thread Length	Material
RB-15M-12	1-1/2	13/16	40	3/8-16	3/4	Neoprene
RB-15URM-12	1-1/2	13/16	80	3/8-16	3/4	Urethane

Inch - Male Thread - Flat Top - Flush Mount - 2" Diameter

MA MODIFICATIONS AVAILABLE



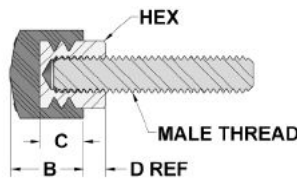
Used for stops, guides, bumpers and protection. Molded bumper bonded to steel stud. Neoprene offers good resistance against weather, gasoline, oil, ozone and high temperature. See page 46 for material and durometer specifications. For specific application requirements, custom modifications are available for this product line. View and download part CAD models at www.fairlaneproducts.com.

Part #	A Dia	B Length	Durometer	Thread	Stud Length	Thread Length	Material
RB-2015M-8	2	1-1/2	60	3/8-16	3/4	3/4	Neoprene
RB-2015M-24	2	1-1/2	60	3/8-16	1-1/2	1	Neoprene

BUMPERS - ROUND

Inch - Male Thread - Hex Shoulder - Steel Core - 3/4" Diameter

MA MODIFICATIONS AVAILABLE



EXPANDED LINE

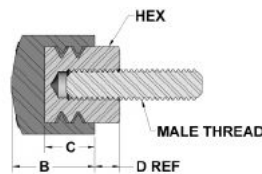
Used for stops, guides, bumpers and protection. Molded bumper bonded to steel core for durability. Neoprene offers good resistance against weather, gasoline, oil, ozone and high temperature. Urethane offers highest resistance, strength and load bearing. High elongation hardness and is resistant to ozone and oxygen. Nitrile is chemical resistant and non-marring. See page 46 for material and durometer specifications. For specific application requirements, custom modifications are available for this product line. View and download part CAD models at www.fairlaneproducts.com.

40 Durometer Part #	70 Durometer Part #	A Dia	B Length	C	D	Hex	Thread	Thread Length	Material
RB-516-024-40M-8	RB-516-024M-8	3/4	5/8	3/8	.13	3/8	#10-24	1/2	Neoprene
RB-516-024-40M-20	RB-516-024M-20	3/4	5/8	3/8	.13	3/8	#10-24	1-1/4	Neoprene
RB-516-032-40M-8	RB-516-032M-8	3/4	5/8	3/8	.13	3/8	#10-32	1/2	Neoprene
RB-516-032-40M-20	RB-516-032M-20	3/4	5/8	3/8	.13	3/8	#10-32	1-1/4	Neoprene
RB-516-120-40M-8	RB-516-120M-8	3/4	5/8	3/8	.16	7/16	1/4-20	1/2	Neoprene
RB-516-120-40M-20	RB-516-120M-20	3/4	5/8	3/8	.16	7/16	1/4-20	1-1/4	Neoprene
RB-516-128-40M-8	RB-516-128M-8	3/4	5/8	3/8	.16	7/16	1/4-28	1/2	Neoprene
RB-516-128-40M-20	RB-516-128M-20	3/4	5/8	3/8	.16	7/16	1/4-28	1-1/4	Neoprene
RB-516-518-40M-8	RB-516-M-8	3/4	5/8	3/8	.19	1/2	5/16-18	1/2	Neoprene
RB-516-518-40M-20	RB-516-M-20	3/4	5/8	3/8	.19	1/2	5/16-18	1-1/4	Neoprene
RB-516-524-40M-8	RB-516-524M-8	3/4	5/8	3/8	.19	1/2	5/16-24	1/2	Neoprene
RB-516-524-40M-20	RB-516-524M-20	3/4	5/8	3/8	.19	1/2	5/16-24	1-1/4	Neoprene

Part #	A Dia	B Length	C	D	Hex	Thread	Thread Length	Material	Durometer
RB-516-024URM-8	3/4	5/8	3/8	.19	1/2	#10-24	1/2	Urethane	80
RB-516-024URM-20	3/4	5/8	3/8	.19	1/2	#10-24	1-1/4	Urethane	80
RB-516-032URM-8	3/4	5/8	3/8	.19	1/2	#10-32	1/2	Urethane	80
RB-516-032URM-20	3/4	5/8	3/8	.19	1/2	#10-32	1-1/4	Urethane	80
RB-516-120URM-8	3/4	5/8	3/8	.19	1/2	1/4-20	1/2	Urethane	80
RB-516-120URM-20	3/4	5/8	3/8	.19	1/2	1/4-20	1-1/4	Urethane	80
RB-516-128URM-8	3/4	5/8	3/8	.19	1/2	1/4-28	1/2	Urethane	80
RB-516-128URM-20	3/4	5/8	3/8	.19	1/2	1/4-28	1-1/4	Urethane	80
RB-516-URM-8	3/4	5/8	3/8	.19	1/2	5/16-18	1/2	Urethane	80
RB-516-URM-20	3/4	5/8	3/8	.19	1/2	5/16-18	1-1/4	Urethane	80
RB-516-524URM-8	3/4	5/8	3/8	.19	1/2	5/16-24	1/2	Urethane	80
RB-516-524URM-20	3/4	5/8	3/8	.19	1/2	5/16-24	1-1/4	Urethane	80
RB-516-WM-8	3/4	5/8	3/8	.19	1/2	5/16-18	1/2	Nitrile	70
RB-516-WM-20	3/4	5/8	3/8	.19	1/2	5/16-18	1-1/4	Nitrile	70

Metric - Male Thread - Hex Shoulder - Steel Core - 19mm Diameter

MA MODIFICATIONS AVAILABLE



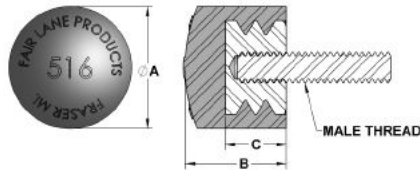
Used for stops, guides, bumpers and protection. Molded bumper bonded to steel core with hex shoulder. Neoprene offers good resistance against weather, gasoline, oil, ozone and high temperature. Urethane offers highest resistance, strength and load bearing. High elongation hardness. Resistant to ozone and oxygen. See page 46 for material and durometer specifications. For specific application requirements, custom modifications are available for this product line. View and download part CAD models at www.fairlaneproducts.com.

Part #	A Dia	B Length	C	D	Durometer	Thread	Thread Length	Material
MRB-5166X15	19	16	9	3.2	70	M6X1.0	15	Neoprene
MRB-5166X30	19	16	9	3.2	70	M6X1.0	30	Neoprene
MRB-5168X15	19	16	9	4.0	70	M8X1.25	15	Neoprene
MRB-5168X30	19	16	9	4.0	70	M8X1.25	30	Neoprene
MRB-5166URX15	19	16	9	3.2	80	M6X1.0	15	Urethane
MRB-5166URX30	19	16	9	3.2	80	M6X1.0	30	Urethane
MRB-5168URX15	19	16	9	4.0	80	M8X1.25	15	Urethane
MRB-5168URX30	19	16	9	4.0	80	M8X1.25	30	Urethane

BUMPERS - ROUND

Inch - Male Thread - Flush Mount - Steel Core - 3/4" Diameter

MA MODIFICATIONS AVAILABLE



NEW PRODUCT

Used for stops, guides, bumpers and protection. Molded bumper bonded to steel core for durability. Neoprene offers good resistance against weather, gasoline, oil, ozone and high temperature. Urethane offers highest resistance, strength and load bearing. High elongation hardness and is resistant to ozone and oxygen. Nitrile is chemical resistant and non-marring. See page 46 for material and durometer specifications. For specific application requirements, custom modifications are available for this product line. View and download part CAD models at www.fairlaneproducts.com.

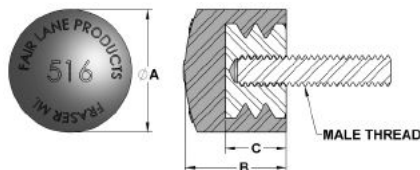
40 Durometer Part#	70 Durometer Part#	A Dia	B Length	C	Thread	Thread Length	Material
RB-516-024-40M-8NH	RB-516-024M-8NH	3/4	5/8	3/8	#10-24	5/8	Neoprene
RB-516-024-40M-20NH	RB-516-024M-20NH	3/4	5/8	3/8	#10-24	1-3/8	Neoprene
RB-516-032-40M-8NH	RB-516-032M-8NH	3/4	5/8	3/8	#10-32	5/8	Neoprene
RB-516-032-40M-20NH	RB-516-032M-20NH	3/4	5/8	3/8	#10-32	1-3/8	Neoprene
RB-516-120-40M-8NH	RB-516-120M-8NH	3/4	5/8	3/8	1/4-20	11/16	Neoprene
RB-516-120-40M-20NH	RB-516-120M-20NH	3/4	5/8	3/8	1/4-20	1-7/16	Neoprene
RB-516-128-40M-8NH	RB-516-128M-8NH	3/4	5/8	3/8	1/4-28	11/16	Neoprene
RB-516-128-40M-20NH	RB-516-128M-20NH	3/4	5/8	3/8	1/4-28	1-7/16	Neoprene
RB-516-518-40M-8NH	RB-516-M-8NH	3/4	5/8	3/8	5/16-18	11/16	Neoprene
RB-516-518-40M-20NH	RB-516-M-20NH	3/4	5/8	3/8	5/16-18	1-7/16	Neoprene
RB-516-524-40M-8NH	RB-516-524M-8NH	3/4	5/8	3/8	5/16-24	11/16	Neoprene
RB-516-524-40M-20NH	RB-516-524M-20NH	3/4	5/8	3/8	5/16-24	1-7/16	Neoprene

Part #	A Dia	B Length	C	Thread	Thread Length	Material	Durometer
RB-516-024URM-8NH	3/4	5/8	3/8	#10-24	5/8	Urethane	80
RB-516-024URM-20NH	3/4	5/8	3/8	#10-24	1-3/8	Urethane	80
RB-516-032URM-8NH	3/4	5/8	3/8	#10-32	5/8	Urethane	80
RB-516-032URM-20NH	3/4	5/8	3/8	#10-32	1-3/8	Urethane	80
RB-516-120URM-8NH	3/4	5/8	3/8	1/4-20	11/16	Urethane	80
RB-516-120URM-20NH	3/4	5/8	3/8	1/4-20	1-7/16	Urethane	80
RB-516-128URM-8NH	3/4	5/8	3/8	1/4-28	11/16	Urethane	80
RB-516-128URM-20NH	3/4	5/8	3/8	1/4-28	1-7/16	Urethane	80
RB-516-URM-8NH	3/4	5/8	3/8	5/16-18	11/16	Urethane	80
RB-516-URM-20NH	3/4	5/8	3/8	5/16-18	1-7/16	Urethane	80
RB-516-524URM-8NH	3/4	5/8	3/8	5/16-24	11/16	Urethane	80
RB-516-524URM-20NH	3/4	5/8	3/8	5/16-24	1-7/16	Urethane	80

RB-516-WM-8NH	3/4	5/8	3/8	5/16-18	11/16	Nitrile	70
RB-516-WM-20NH	3/4	5/8	3/8	5/16-18	1-7/16	Nitrile	70

Metric - Male Thread - Flush Mount - Steel Core - 19mm Diameter

MA MODIFICATIONS AVAILABLE



NEW PRODUCT

Used for stops, guides, bumpers and protection. Molded bumper bonded to steel core for durability. Neoprene offers good resistance against weather, gasoline, oil, ozone and high temperature. Urethane offers highest resistance, strength and load bearing. High elongation hardness and is resistant to ozone and oxygen. Nitrile is chemical resistant and non-marring. See page 46 for material and durometer specifications. For specific application requirements, custom modifications are available for this product line. View and download part CAD models at www.fairlaneproducts.com.

Part #	A Dia	B Length	C	Durometer	Thread	Thread Length	Material
MRB-5166X15NH	19	16	9	70	M6X1.0	18	Neoprene
MRB-5166X30NH	19	16	9	70	M6X1.0	33	Neoprene
MRB-5168X15NH	19	16	9	70	M8X1.25	18	Neoprene
MRB-5168X30NH	19	16	9	70	M8X1.25	33	Neoprene
MRB-5166URX15NH	19	16	9	80	M6X1.0	18	Urethane
MRB-5166URX30NH	19	16	9	80	M6X1.0	33	Urethane
MRB-5168URX15NH	19	16	9	80	M8X1.25	18	Urethane
MRB-5168URX30NH	19	16	9	80	M8X1.25	33	Urethane

BUMPERS - ROUND

Inch - Male Thread - Flush Mount - Steel Core - 1-1/4" Diameter

MA MODIFICATIONS AVAILABLE



Used for stops, guides, bumpers and protection. Molded bumper bonded to steel core for durability. Neoprene offers good resistance against weather, gasoline, oil, ozone and high temperature. Urethane offers highest resistance, strength and load bearing. High elongation hardness and is resistant to ozone and oxygen. Nitrile is chemical resistant and non-marring. See page 46 for material and durometer specifications. For specific application requirements, custom modifications are available for this product line. View and download part CAD models at www.fairlaneproducts.com.

Part #	A Dia	B Length	C	Durometer	Thread	Thread Length	Material
RB-3M-10	1-1/4	1-1/4	3/4	40	3/8-16	5/8	Neoprene
RB-3M-16	1-1/4	1-1/4	3/4	40	3/8-16	1"	Neoprene
RB-3M-20	1-1/4	1-1/4	3/4	40	3/8-16	1-1/4	Neoprene
RB-8M-16	1-1/4	1-1/4	3/4	40	5/8-18	1"	Neoprene
RB-14M-13	1-1/4	1-1/4	3/4	40	1/2-13	3/4	Neoprene
RB-3WM-10	1-1/4	1-1/4	3/4	40	3/8-16	5/8	Nitrile
RB-3WM-16	1-1/4	1-1/4	3/4	40	3/8-16	1"	Nitrile
RB-3WM-20	1-1/4	1-1/4	3/4	40	3/8-16	1-1/4	Nitrile
RB-8WM-16	1-1/4	1-1/4	3/4	40	5/8-18	1"	Nitrile
RB-14WM-13	1-1/4	1-1/4	3/4	40	1/2-13	3/4	Nitrile
RB-3URM-10	1-1/4	1-1/4	3/4	80	3/8-16	5/8	Urethane
RB-3URM-16	1-1/4	1-1/4	3/4	80	3/8-16	1"	Urethane
RB-3URM-20	1-1/4	1-1/4	3/4	80	3/8-16	1-1/4	Urethane
RB-8URM-16	1-1/4	1-1/4	3/4	80	5/8-18	1"	Urethane
RB-14URM-13	1-1/4	1-1/4	3/4	80	1/2-13	3/4	Urethane

Metric - Male Thread - Flush Mount - Steel Core - 32mm to 45mm Diameter

MA MODIFICATIONS AVAILABLE



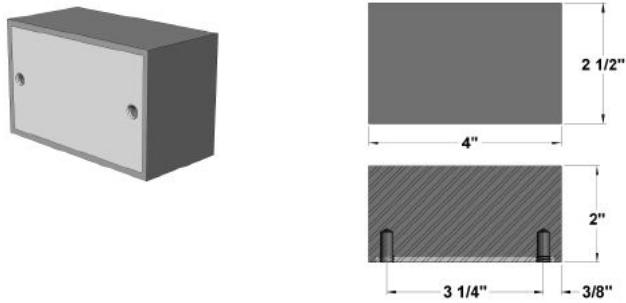
Used for stops, guides, bumpers and protection. Molded bumper bonded to steel core for durability. Neoprene offers good resistance against weather, gasoline, oil, ozone and high temperature. Urethane offers highest resistance, strength and load bearing. High elongation hardness. Resistant to ozone and oxygen. See page 46 for material and durometer specifications. For specific application requirements, custom modifications are available for this product line. View and download part CAD models at www.fairlaneproducts.com.

Part #	A Dia	B Length	C	Durometer	Thread	Thread Length	Material
MRB-3X15	32	32	19.0	40	M10X1.5	15	Neoprene
MRB-3X30	32	32	19.0	40	M10X1.5	30	Neoprene
MRB-5X15	32	32	19.0	40	M12X1.75	15	Neoprene
MRB-5X30	32	32	19.0	40	M12X1.75	30	Neoprene
MRB-8X15	32	32	19.0	40	M16X2.0	15	Neoprene
MRB-8X30	32	32	19.0	40	M16X2.0	30	Neoprene
MRB-9X15	45	42	22.5	40	M16X2.0	15	Neoprene
MRB-9X30	45	42	22.5	40	M16X2.0	30	Neoprene
MRB-3URX15	32	32	19.0	80	M10X1.5	15	Urethane
MRB-3URX30	32	32	19.0	80	M10X1.5	30	Urethane
MRB-5URX15	32	32	19.0	80	M12X1.75	15	Urethane
MRB-5URX30	32	32	19.0	80	M12X1.75	30	Urethane
MRB-8URX15	32	32	19.0	80	M16X2.0	15	Urethane
MRB-8URX30	32	32	19.0	80	M16X2.0	30	Urethane
MRB-9URX15	45	42	22.5	80	M16X2.0	15	Urethane
MRB-9URX30	45	42	22.5	80	M16X2.0	30	Urethane

BUMPERS - RECTANGULAR

Tapped Steel Plate - Backside Mounting - 4" Wide

MA MODIFICATIONS AVAILABLE

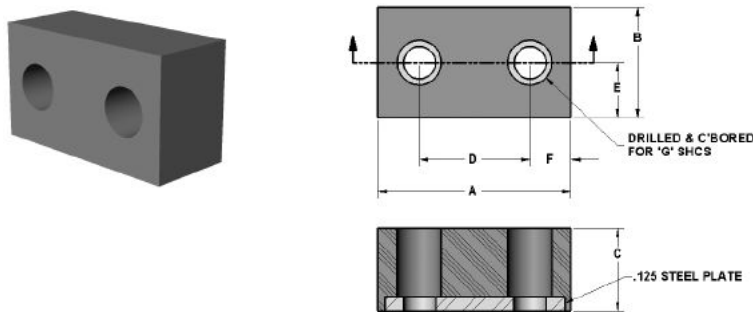


Used for stops, guides, bumpers and protection. 1/8" steel plate has two holes for backside mounting. The steel plate is tapped. The holes in the rubber are 1/4" diameter, 1/2" deep. Neoprene offers good resistance against weather, gasoline, ozone and temperature. See page 46 for material and durometer specifications. For specific application requirements, custom modifications are available for this product line. View and download part CAD models at www.fairlaneproducts.com.

Part #	Tap	Durometer	Material
RB-2540-T	5/16-18	80	Neoprene

Counter Bored - Steel Plate - 1-3/4" to 2-1/2"

MA MODIFICATIONS AVAILABLE



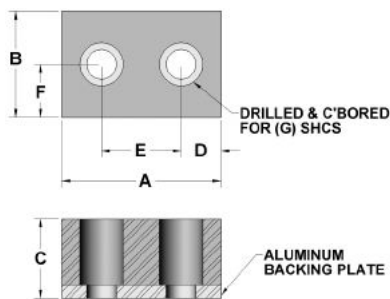
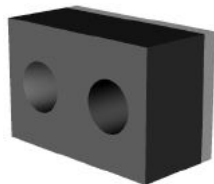
Used for stops, guides, bumpers and protection. Molded bumper bonded to steel plate. Neoprene offers good resistance against weather, gasoline, oil, ozone and high temperature. Urethane offers highest resistance, strength and load bearing. High elongation hardness. Resistant to ozone and oxygen. See page 46 for material and durometer specifications. For specific application requirements, custom modifications are available for this product line. View and download part CAD models at www.fairlaneproducts.com.

Part #	A	B	C	D	E	F	G For SHCS	Durometer	Material
RB-7525	2-1/2	5/8	5/8	1-1/2	5/16	1/2	1/4 (6MM)	80	Neoprene
RB-1175	1-3/4	1	3/4	1	1/2	3/8	1/4 (6MM)	80	Neoprene
RB-1175-35	1-3/4	1	3/4	1	1/2	3/8	1/4 (6MM)	35	Neoprene
RB-2025-C	2-1/2	2	2	1-1/2	1	1/2	5/16	80	Neoprene
RB-7525-UR	2-1/2	5/8	5/8	1-1/2	5/16	1/2	1/4 (6MM)	80	Urethane
RB-1137-UR	1-3/4	1	3/8	1	1/2	3/8	1/4 (6MM)	80	Urethane
RB-1150-UR	1-3/4	1	1/2	1	1/2	3/8	1/4 (6MM)	80	Urethane
RB-1175-UR	1-3/4	1	3/4	1	1/2	3/8	1/4 (6MM)	80	Urethane
RB-2025-C-UR	2-1/2	2	2	1-1/2	1	1/2	5/16	80	Urethane
RB-7525-60UR	2-1/2	5/8	5/8	1-1/2	5/16	1/2	1/4 (6MM)	60	Urethane
RB-1137-60UR	1-3/4	1	3/8	1	1/2	3/8	1/4 (6MM)	60	Urethane
RB-1150-60UR	1-3/4	1	1/2	1	1/2	3/8	1/4 (6MM)	60	Urethane
RB-1175-60UR	1-3/4	1	3/4	1	1/2	3/8	1/4 (6MM)	60	Urethane

BUMPERS - RECTANGULAR

Counter Bored - Aluminum Plate - 1-1/2" - 4" Wide

MA MODIFICATIONS AVAILABLE

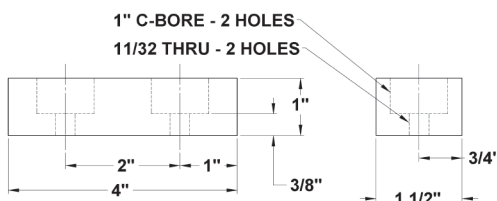
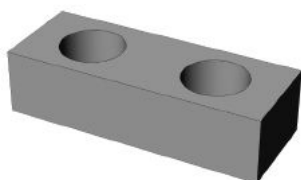


Used for stops, guides, bumpers and protection. Molded bumper bonded to 1/8" aluminum plate. Neoprene offers good resistance against weather, gasoline, oil, ozone and high temperature. See page 46 for material and durometer specifications. For specific application requirements, custom modifications are available for this product line. View and download part CAD models at www.fairlaneproducts.com.

Part #	A	B	C	D	Durometer	E	F	G	Material
RB-241612-142	1-1/2	1	3/4	3/8	80	3/4	1/2	1/4	Neoprene
RB-281628-142	1-3/4	1	1-3/4	3/8	80	1	1/2	1/4	Neoprene
RB-481628-382	3	1	1-3/4	5/8	80	1-3/4	1/2	3/8	Neoprene
RB-482416-5162	3	1-1/2	1	1/2	80	2	3/4	5/16	Neoprene
RB-641612-142	4	1	3/4	1-1/2	80	1	1/2	1/4	Neoprene

Counter Bored - Without Plate - 4" Wide

MA MODIFICATIONS AVAILABLE

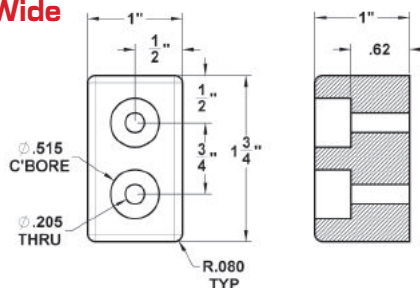


Used for stops, guides, bumpers and protection. They do not have a backing plate so there is no metal to rust or corrode. Neoprene offers good resistance against weather, gasoline, ozone and high temperature. See page 46 for material and durometer specifications. For specific application requirements, custom modifications are available for this product line. View and download part CAD models at www.fairlaneproducts.com.

Part #	Durometer	Material
RB-1540	60	Neoprene

Counter Bored - Without Plate - 1" Wide

NEW PRODUCT

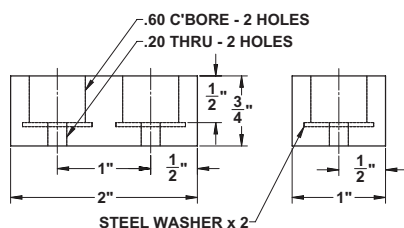
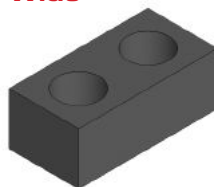


Used for stops, guides, bumpers and protection. They do not have a backing plate so there is no metal to rust or corrode. The corners are rounded for a more finished appearance. The bumper has clearance holes for a #10 or 5mm screw. Made from black neoprene which offers good resistance against weather, gasoline, ozone and high temperature. See page 46 for material and durometer specifications. View and download part CAD models at www.fairlaneproducts.com.

Part #	Durometer	Material
RB-1171-35	35	Neoprene
RB-1171-60	60	Neoprene
RB-1171	80	Neoprene

Counter Bored - 2" Wide

NEW PRODUCT



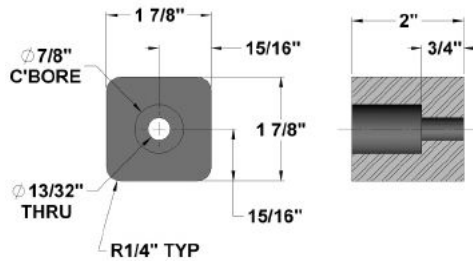
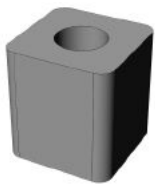
Used for stops, guides, bumpers and protection. They have steel washers to provide extra rigidity for mounting. The bumper has mounting holes for a #10 or 5mm screw or 3/16" rivet. Made from black neoprene which offers good resistance against weather, gasoline, ozone and high temperature. See page 46 for material and durometer specifications. View and download part CAD models at www.fairlaneproducts.com.

Part #	Durometer	Material
RB-3216	60	Neoprene

BUMPERS - SQUARE

Counter Bored - Without Plate - 1-7/8" Wide

MA MODIFICATIONS AVAILABLE

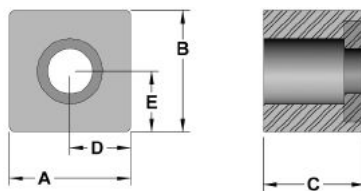
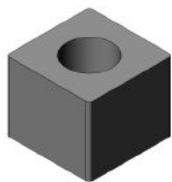


Used for stops, guides, bumpers and protection. They do not have a backing plate so there is no metal to rust or corrode. Neoprene offers good resistance against weather, gasoline, ozone and high temperature. See page 46 for material and durometer specifications. For specific application requirements, custom modifications are available for this product line. View and download part CAD models at www.fairlaneproducts.com.

Part #	Durometer	Material
RB-2020-C	80	Neoprene

Counter Bored - Steel Plate - 3/4" Wide

MA MODIFICATIONS AVAILABLE

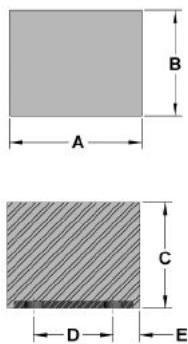


Used for stops, guides, bumpers and protection. Molded bumper bonded to steel plate. Neoprene offers good resistance against weather, gasoline, oil, ozone and high temperature. Urethane offers highest resistance, strength and load bearing. High elongation hardness. Resistant to ozone and oxygen. See page 46 for material and durometer specifications. For specific application requirements, custom modifications are available for this product line. View and download part CAD models at www.fairlaneproducts.com.

Part #	A	B	C	D	E	For SHCS	Durometer	Material
RB-7575	3/4	3/4	5/8	3/8	3/8	1/4 (6MM)	80	Neoprene
RB-7575-60UR	3/4	3/4	5/8	3/8	3/8	1/4 (6MM)	60	Urethane
RB-7575-UR	3/4	3/4	5/8	3/8	3/8	1/4 (6MM)	80	Urethane

Solid Rubber - Steel Plate - 2-1/2" Wide

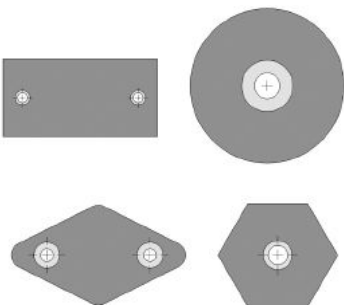
MA MODIFICATIONS AVAILABLE



Used for stops, guides, bumpers and protection. Molded bumper bonded to steel plate. Neoprene offers good resistance against weather, gasoline, oil, ozone and high temperature. Urethane offers highest resistance, strength and load bearing. High elongation hardness. Resistant to ozone and oxygen. Holes are only through the 1/8" steel plate and not into the rubber. The holes are 11/32" diameter. See page 46 for material and durometer specifications. For specific application requirements, custom modifications are available for this product line. View and download part CAD models at www.fairlaneproducts.com.

Part #	A	B	C	D	E	Durometer	Material
RB-2025	2-1/2	2	2	1-1/2	1/2	80	Neoprene
RB-2025-UR	2-1/2	2	2	1-1/2	1/2	80	Urethane

Custom Bumpers - Aluminum Plate



In addition to the standard bumpers shown in our catalog, we are equipped to provide a wide variety of custom bumpers using 80 durometer neoprene material with 1/8" aluminum backing plate. These custom bumpers are available in three standard thicknesses including 3/4", 1" and 1-3/4" but can be cut down to other thicknesses.

We can provide simple squares and rectangles up to nearly 24" in length depending on the thickness. We can also provide complex shapes. If your application requires a specific shape that includes contours, custom bumpers can be made from a CAD drawing. In addition to different shapes, these bumpers can be bored to accommodate a wide variety of fastening options.

For additional information or a quote, contact a Fairlane Products engineer at: 586-294-6100 or email engineering@fairlaneproducts.com

BEARING RATING CHARTS

Standard Bearing

The following table shows the maximum theoretical radial loads that can be applied to the respective bearings, at a specified RPM, yielding an average life of 2,500 hours.

BEARING TYPE A Standard Double Row Part # RRBG-D2268-3

I.D.	O.D.	WIDTH
.313/.317	.870/.875	.498/.502

SINGLE (1) BEARING

Load (lbs)	Speed (rpm)
120	50
80	100
52	250
44	500
32	1,000

BEARING TYPE B Standard Single Row Part # RRBG-SR-342-58

I.D.	O.D.	WIDTH
.500/.505	1.245/1.250	.370/.380

SINGLE (1) BEARING

Load (lbs)	Speed (rpm)
261	50
174	100
113	250
96	500
70	1,000

BEARING TYPE C Standard Double Row Part # RRBG-D2342-85DS

I.D.	O.D.	WIDTH
.500/.505	1.245/1.250	.745/.755

SINGLE (1) BEARING

Load (lbs)	Speed (rpm)
423	50
282	100
183	250
155	500
113	1,000

BEARING TYPE J Standard Single Row Part # RRBG-SR-268-DS

I.D.	O.D.	WIDTH
.313/.317	.870/.875	.247/.253

SINGLE (1) BEARING

Load (lbs)	Speed (rpm)
100	50
65	100
42	250
38	500
27	1,000

Clutch Bearing

The following table shows the maximum theoretical radial loads that can be applied to the respective bearings, at a specified RPM, yielding 1,000,000 revolutions or 500 hours of life. The bearings are shielded and pre-lubricated for life with grease.

BEARING TYPE H Roller Clutch Bearing

I.D.	O.D.	WIDTH
.3745/.3750	.6245/.6255	.865/.875

SINGLE (1) BEARING

Load (lbs)	Speed (rpm)
367	33-1/3
321	50
254	100
187	250
149	500
118	1,000

BEARING TYPE I Roller Clutch Bearing

I.D.	O.D.	WIDTH
.6245/.6250	.8745/.8755	.990/1.000

SINGLE (1) BEARING

Load (lbs)	Speed (rpm)
610	33-1/3
533	50
423	100
312	250
247	500
196	1,000

BEARING RATING CHARTS (continued)

Precision Bearing

The following table shows the maximum theoretical radial loads that can be applied to the respective bearings, at a specified RPM, yielding 1,000,000 revolutions or 500 hours of life. The bearings are shielded and pre-lubricated for life with grease.

BEARING TYPE D Precision Single Row Part # RRBG-1603-ZZ

I.D.	O.D.	WIDTH
.3122/.3125	.8747/.8750	.2766/.2813

DOUBLE (2) BEARINGS

Load (lbs)	Speed (rpm)
—	33-1/3
740	50
590	100
410	250
350	500
260	1,000

BEARING TYPE E Precision Sealed Single Row Part # RRBG-1603-2RS

I.D.	O.D.	WIDTH
.3122/.3125	.8747/.8750	.3383/.3430

DOUBLE (2) BEARINGS

Load (lbs)	Speed (rpm)
—	33-1/3
740	50
590	100
410	250
350	500
260	1,000

BEARING TYPE F Precision Single Row Part # RRBG-1616-ZZ

I.D.	O.D.	WIDTH
.4997/.5000	1.1247/1.1250	.3703/.3750

SINGLE (1) BEARING

Load (lbs)	Speed (rpm)
884	33-1/3
772	50
613	100
452	250
358	500
284	1,000

DOUBLE (2) BEARINGS

Load (lbs)	Speed (rpm)
1,768	33-1/3
1,544	50
1,226	100
904	250
716	500
568	1,000

BEARING TYPE G Precision Sealed Single Row Part # RRBG-1616-2RS

I.D.	O.D.	WIDTH
.4997/.5000	1.1247/1.1250	.3703/.3750

SINGLE (1) BEARING

Load (lbs)	Speed (rpm)
884	33-1/3
772	50
613	100
452	250
358	500
284	1,000

DOUBLE (2) BEARINGS

Load (lbs)	Speed (rpm)
1,768	33-1/3
1,544	50
1,226	100
904	250
716	500
568	1,000

ROLLER AND BUMPER MATERIAL INFORMATION

Base Elastomer	Chemical Name	Advantages	Disadvantages	Max. Service Temp F°	Min. Service Temp F°
Neoprene Black	Chloroprene	Flame and weather resistant. Resists: gasoline, oil, ozone, high temp.	Affected by phosphate hydraulic fluids, aromatic hydrocarbons.	Continuous 200° Intermittent 250°	-40°
Urethane	Di-Isocyanate Polyurethane	Highest abrasion resistance, strength & load bearing. High elongation, hardness. Resistant to ozone & oxygen.	Affected by ether, esters, acid, aromatics, alkalis.	Continuous 200° Intermittent 250°	-65°
White Nitrile	Nitrile Butadiene	Resistant to gasoline, oil alcohol, abrasion.	Affected by degreaser solvents.	Continuous 175° Intermittent 225°	-60°

All durometer ratings are based on a Shore A rating.

Durometer Guide:

Durometer 20 = Stiff Foam Rubber
 Durometer 35 = Pencil Eraser
 Durometer 60 = Auto Tire
 Durometer 80 = Skateboard Wheel
 Durometer 95 = Hockey Puck

Urethane Color Guide:

Durometer 35 = Yellow
 Durometer 60 = Blue
 Durometer 80 = Red
 Durometer 95 = Orange or Black

Urethane Covered Bearings and Press Fit Rollers in 95A are black in color. All other rollers in 95A are orange. All Nitrile Rollers and Bumpers are white. All Neoprene Rollers and Bumpers are black.

Roller and Bumper Material Property Comparison Chart:

4 = Excellent 3 = Good 2 = Fair 1 = Poor

Property:	White Nitrile	Neoprene	Urethane
Tensile Strength	2	3.5	4
Ozone Resistance	1	2.5	4
Cut Resistance	2	3	4
Abrasion Resistance	2.5	3.5	4
Tear Strength	2	3	4

Resistance To:	White Nitrile	Neoprene	Urethane
Compression Set	2.5	3	3.5
ASTM #1 Oil	4	2.5	4
ASTM #2 Oil	4	2	4
Reference Fuel B	3.5	2	4
Ketones: MEK	1	2	1
Aromatics: Toluene	3.5	1.5	4
Aliphatics: Hexane	4	3	4
Ethyl Acetate	1.5	3	1.5
Cellosolve	2	4	1.5
Methylene Chloride	1	1	1
Trichloroethylene	1	1	1
DiethyleneGlycol	4	4	3
Isopropyl Alcohol	3.5	3.5	3
Caustics: 10% NaOH	3.5	3.5	1
Acids: H2SO4	2	3	1

Notes

www.fairlaneproducts.com

Notes

www.fairlaneproducts.com

Doing Business with Fairlane Products...

Purchasing From Fairlane Products

All items listed in this catalog are sold through a network of approved distributors. Original Equipment Manufacturers (OEM) may be able to purchase directly based on quantity, item and other criteria. Please call us at 586-294-6100 for assistance with any questions about purchasing or locating a distributor.

Website

Our website at www.fairlaneproducts.com was developed to allow users easy access to a full array of services. Within our website you can easily search our entire product line for the exact part to fit your application. Full product information including materials, dimension and other technical data is available. In addition, CAD models can be viewed and downloaded in a variety of formats so you can integrate the parts directly into your CAD database or projects.

Business Hours

Representatives are available to assist you from 8:00 a.m. to 4:30 p.m. Eastern Time, Monday through Friday.

Pricing

OEM quantity price discounts are available for many items and apply to the quantity of each specific part. We do our best to hold pricing, however, any published prices are subject to change without notice. Quoted prices will be valid for 30 days.

Shipments

All items in this catalog are normally stocked. Backordered parts are always given a high priority and will ship as soon as they become available. For OEM customers, normal shipment is UPS – FOB Fraser Michigan unless otherwise noted. Shipping charges are prepaid and added to the invoice. Special charges and guidelines apply to shipments outside the United States. Buyers are responsible for all applicable taxes and duties on international shipments.

Returns

An RGA number must be issued before returning any products. All returns must be shipped via UPS and reference the RGA number on the outside of the box. Custom products cannot be returned.

Custom Products

Some products may be modified to meet your exact specifications. Please inquire for pricing. Once custom made products are in process, the order may not be cancelled. Custom made products cannot be returned.

Material Data Safety Sheets

Material Data Safety Sheets are available upon request.

Specifications

We do our best to represent our products as accurately as possible in both our catalogs and website, however, all specifications are subject to change without notice.

Choice of Law

The terms of sale for purchases from Fairlane Products shall be governed by and construed in accordance with the laws of the State of Michigan as applied to contracts made and to be performed in Michigan. Any action arising out of such purchases must be brought in courts in Michigan. Purchasers consent to the jurisdiction of the courts in Michigan and to service of process by registered mail, return receipt requested, or by other manner proved by law.

Entire Agreement

By placement of an order or by acceptance of goods ordered, buyer signifies agreement that no terms, conditions or warranties other than those stated here, and no agreement or understanding, oral or written, in any way purporting to modify these terms, conditions and or warranties, whether contained in buyer's purchase order or elsewhere, shall be binding on Fairlane Products.

Customer Comments

Everyone at Fairlane Products takes great pride in their work and truly strives for complete customer satisfaction. If you ever have any comments or suggestions on our products, service, catalogs or website, please let us know. They are appreciated and taken seriously.